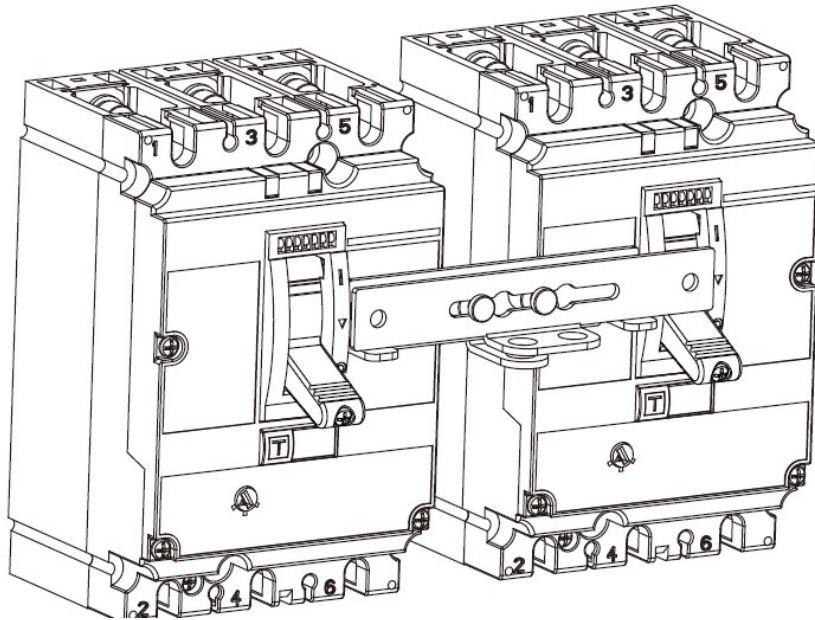
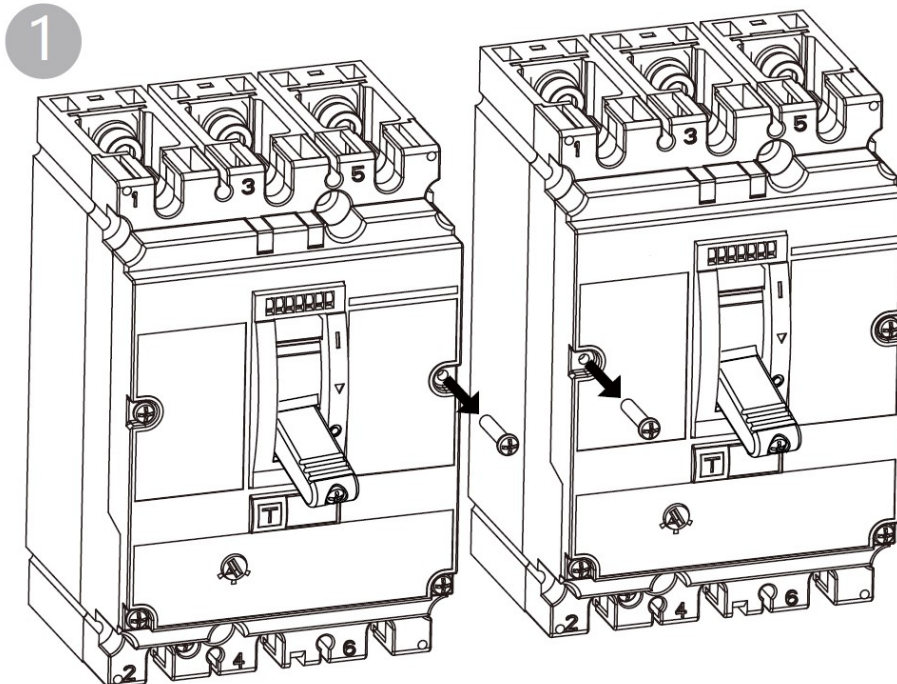


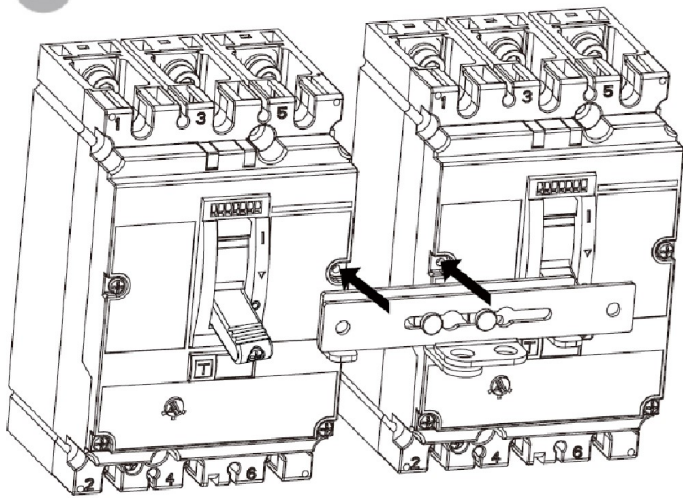
Manual: Mechanical Interlock for MX1/MX2/MX3



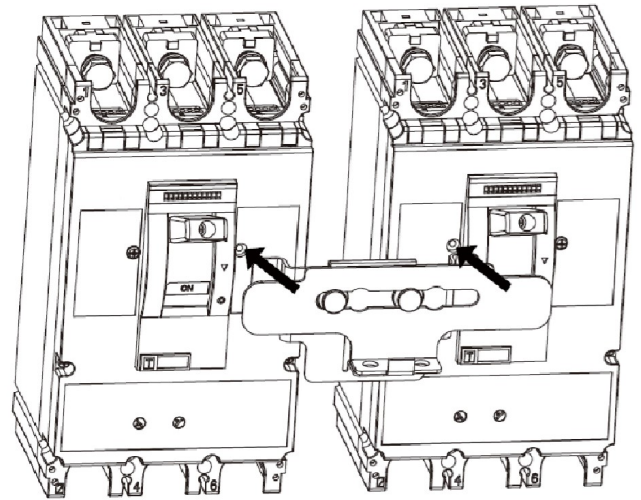
Installation



2

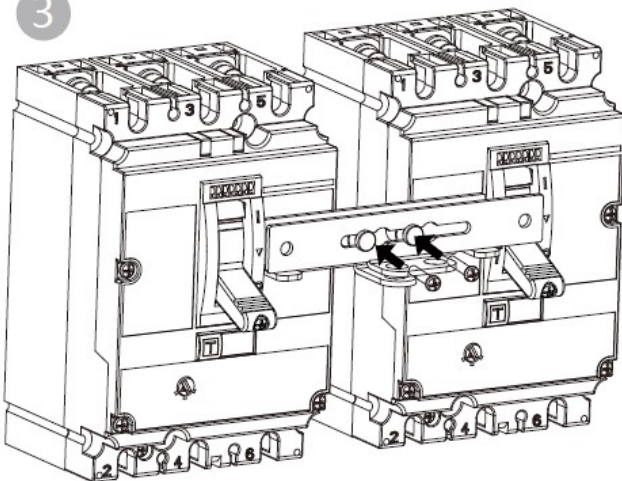


MX1, MX2

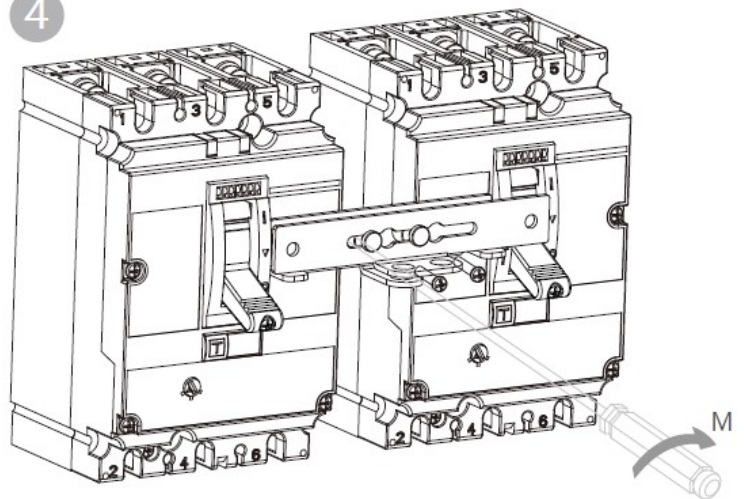



MX3

3



4



Type		M (N.m)
MX1/MX2	ST2.9X20	0.8
MX3	ST3.5X25	2

Danger, installation by electricians only

