

## ORDER DATA

		Part.-No.		
<b>EMB7300 2,5 A 0101</b>		<b>683020-0101</b>		
<b>Application:</b>	Compact control unit for smoke and heat exhaust ventilation systems operating with 24 V DC voltage, suitable for staircases.			

**TECHNICAL DATA (Rated values)**

Operating voltage:	230 V AC (195 – 253 V AC, 50/60 Hz)
Max. power consumption:	115 W
Output voltage:	24 V DC (20 – 28 V DC / 2 Vpp)
Output current:	<b>2,5 A</b>
Ambient temperature range:	-5°C ... + 40°C
Protection rating:	IP30
Housing:	Surface mounting, steel sheet, RAL 7035 (light grey)
Dimensions (WxHxD):	225 x 285 x 122 mm
Connection terminals:	1,5 mm <sup>2</sup> / drive line: 4 mm <sup>2</sup> (rigid wire)
VdS certification no.:	G 514001 (without or with orange SHEV button)

Motherboard: **1 SHEV group / 1 Vent groups**

**Feature/Equipment**

- Further settings (e.g. maintenance period) only available with extra cost software license
- Cable entry from above / below / behind
- Optional housing for flash mounting
- Prepared for **2** maintenance-free back-up batteries **2x 12 V / 2,3 Ah** (Part. Nr. 541000)

**OPTIONS**

<b>Version with break-glass unit (HSE) and ventilation button on the front of the housing</b>		Part.-No.		
EMB7300 2,5 A 0101-T	HSE red (similar to RAL 3000)	<b>683021-0101</b>		
EMB7300 2,5 A 0101-T	HSE yellow (similar to RAL 1018)	<b>683022-0101</b>		
EMB7300 2,5 A 0101-T	HSE grey (similar to RAL 7035)	<b>683023-0101</b>		
EMB7300 2,5 A 0101-T	HSE blue (similar to RAL 5009)	<b>683024-0101</b>		
EMB7300 2,5 A 0101-T	HSE orange (similar to RAL 2011) VdS certification no.: G 514001	<b>683025-0101</b>		

### ORDER DATA

		Part.-No.		
<b>EMB7300 5 A 0101</b>		<b>683050-0101</b>		
<b>Application:</b>	Compact control unit for smoke and heat exhaust ventilation systems operating with 24 V DC voltage, suitable for staircases.			



#### TECHNICAL DATA (Rated values)

Operating voltage:	230 V AC (195 – 253 V AC, 50/60 Hz)
Max. power consumption:	460 W
Output voltage:	24 V DC (20 – 28 V DC / 0,5 Vpp)
Output current:	<b>5,0 A</b>
Ambient temperature range:	-5°C ... + 40°C
Protection rating:	IP30
Housing:	Surface mounting, steel sheet, RAL 7035 (light grey)
Dimensions (WxHxD):	225 x 285 x 122 mm
Connection terminals:	1,5 mm <sup>2</sup> / Drives: 6 mm <sup>2</sup> (rigid wire)
VdS certification no.:	G 514001 (without or with orange SHEV button)

Motherboard: **1 SHEV group / 1 Vent group**

#### Feature/Equipment

- Further settings (e.g. maintenance period) only available with extra cost software license
- Cable entry from above / below / behind
- Optional housing for flash mounting
- Prepared for **2** maintenance-free backup batteries **2x 12 V / 2,3 Ah** (Part. Nr. 541000)

#### OPTIONS

Available with break glass unit and ventilation button on housing cover			Part.-No.		
EMB7300 5 A 0101-T	HSE red (similar to RAL 3000)		<b>683051-0101</b>		
EMB7300 5 A 0101-T	HSE yellow (similar to RAL 1018)		<b>683052-0101</b>		
EMB7300 5 A 0101-T	HSE grey (similar to RAL 7035)		<b>683053-0101</b>		
EMB7300 5 A 0101-T	HSE blue (similar to RAL 5009)		<b>683054-0101</b>		
EMB7300 5 A 0101-T	HSE orange (similar to RAL 2011) VdS certification no.: G 514001		<b>683055-0101</b>		

<b>EMB7300 5 A 0102</b>		<b>683050-0102</b>		
<b>Application:</b>	Compact control unit for smoke and heat exhaust ventilation systems operating with 24 V DC voltage, suitable for staircases.			



#### TECHNICAL DATA (Rated values)

Operating voltage:	230 V AC (195 – 253 V AC, 50/60 Hz)
Max. power consumption:	460 W
Output voltage:	24 V DC (20 – 28 V DC / 0,5 Vpp)
Output current:	<b>5,0 A</b>
Ambient temperature range:	-5°C ... + 40°C
Protection rating:	IP30
Housing:	Surface mounting, steel sheet, RAL 7035 (light grey)
Dimensions (WxHxD):	225 x 285 x 122 mm
Connection terminals:	1,5 mm <sup>2</sup> / Drives: 6 mm <sup>2</sup> (rigid wire)
VdS certification no.:	G 514001

Motherboard: **1 SHEV group / 2 Vent groups**

#### Feature/Equipment

- Further settings (e.g. maintenance period) only available with extra cost software license
- Cable entry from above / below / behind
- Optional housing for flash mounting
- Prepared for **2** maintenance-free backup batteries **2x 12 V / 2,3 Ah** (Part. Nr. 541000)

**ORDER DATA**

		Part.-No.		
<b>Flush mounting housing EMB7300 2,5 A / 5 A</b>		<b>683111</b>		
<b>Application:</b> Housing for flush mouting of EMB7300 2,5 A or 5 A in its own housing 225 x 285 x 122 mm.				



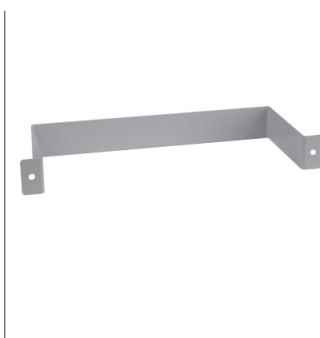
**TECHNICAL DATA**

Material:	Steel sheet	<b>2,5 A</b>	<b>5 A</b>
Colour:	RAL 7035 (light grey)		
<b>Flush housing:</b>			
Dimensions (WxHxD):	254 x 314 x 96 mm		
<b>Plaster frame:</b>			
Dimensions (WxHxD):	282 x 342 x 48 mm		
PE-Connecting cable:	160 mm with blade terminals 6,3 mm		
Polystyrene plate:	240 x 302 x 93 mm		

**Feature/Equipment**

- Plaster frame with 4x rounded head screws M3x6, 4x plain washer A4
- Flush housing with 4x screw sleeve and safety nuts M5, 4x stainless steel mounting brackets 13 x 13 x 1 mm, 8x Tapping screws ST3, 5x6,5
- Polystyrene plate to avoid damage during plastering of the wall

<b>Accumulator battery holder</b>		<b>683250</b>		
<b>Application:</b> Holder to fix the Back-up batteries 12V / 2,3 Ah within the housing of control units.				



**TECHNICAL DATA**

Material:	Steel sheet	<b>2,5 A</b>	<b>5 A</b>
Colour:	RAL 7035 (light grey)		

**Feature/Equipment**

- Suitable for **EMB7300 2,5 A** and **EMB7300 5 A**

### ORDER DATA

Part.-No.

**EMB7300 10 A 0101**

**683010-0101**

**Application:** Compact control unit for smoke and heat exhaust ventilation systems operating with 24 V DC voltage, suitable for staircases.



#### TECHNICAL DATA (Rated values)

Operating voltage:	230 V AC (195 – 253 V AC, 50/60 Hz)
Max. power consumption:	506 W
Output voltage:	24 V DC (20 – 28 V DC / 0,5 Vpp)
Output current:	<b>10 A</b>
Ambient temperature range:	-5°C ... + 40°C
<b>Protection rating:</b>	IP40 IP54 with alternatively fixing brackets
Housing:	Surface mounting, steel sheet, RAL 7035 (light grey)
Dimensions (WxHxD):	400 x 300 x 150 mm
Connection terminals:	1,5 mm <sup>2</sup> / Drives: 6 mm <sup>2</sup> (rigid wire)
VdS certification no.:	G 514001
Motherboard:	<b>1 SHEV group / 1 Vent group</b>

#### Feature/Equipment

- Further settings (e.g. maintenance period) only available with extra cost software license
- Cable entry from above / below
- Prepared for **2** maintenance-free backup batteries **2x 12 V / 7 Ah** (Part. Nr. 542000)

**EMB7300 10 A 0102**

**683010-0102**

**Application:** Compact control unit for smoke and heat exhaust ventilation systems operating with 24 V DC voltage, suitable for staircases.



#### TECHNICAL DATA (Rated values)

Operating voltage:	230 V AC (195 – 253 V AC, 50/60 Hz)
Max. power consumption:	506 W
Output voltage:	24 V DC (20 – 28 V DC / 0,5 Vpp)
Output current:	<b>10 A</b>
Ambient temperature range:	-5°C ... + 40°C
<b>Protection rating:</b>	IP40 IP54 with alternatively fixing brackets
Housing:	Surface mounting, steel sheet, RAL 7035 (light grey)
Dimensions (WxHxD):	400 x 300 x 150 mm
Connection terminals:	1,5 mm <sup>2</sup> / Drives: 6 mm <sup>2</sup> (rigid wire)
VdS certification no.:	G 514001
Motherboard:	<b>1 SHEV group / 2 Vent groups</b>

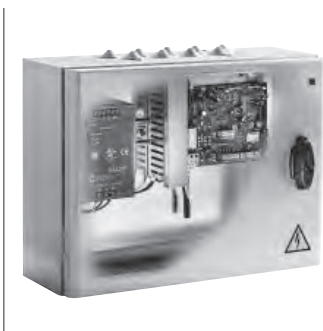
#### Feature/Equipment

- Further settings (e.g. maintenance period) only available with extra cost software license
- Cable entry from above / below
- Prepared for **2** maintenance-free backup batteries **2x 12 V / 7 Ah** (Part. Nr. 542000)

**EMB7300 10 A 0204**

**683010-0204**

**Application:** Compact control unit for smoke and heat exhaust ventilation systems operating with 24 V DC voltage, suitable for staircases.



#### TECHNICAL DATA (Rated values)

Operating voltage:	230 V AC (195 – 253 V AC, 50/60 Hz)
Max. power consumption:	506 W
Output voltage:	24 V DC (20 – 28 V DC / 0,5 Vpp)
Output current:	<b>10 A</b>
Ambient temperature range:	-5°C ... + 40°C
<b>Protection rating:</b>	IP40 IP54 with alternatively fixing brackets
Housing:	Surface mounting, steel sheet, RAL 7035 (light grey)
Dimensions (WxHxD):	400 x 500 x 200 mm
Connection terminals:	1,5 mm <sup>2</sup> / Drives: 6 mm <sup>2</sup> (rigid wire)
VdS certification no.:	G 514001
Motherboard:	<b>2x Motherboard: 2 SHEV group / 4 Vent groups</b>

#### Feature/Equipment

- Further settings (e.g. maintenance period) only available with extra cost software license
- Cable entry from above / below
- Prepared for **2** maintenance-free backup batteries **2x 12 V / 7 Ah** (Part. Nr. 542000)

## ORDER DATA

		Part.-No.		
<b>EMB7300 20 A 0102</b>		<b>683220-0102</b>		
<b>Application:</b>	Compact control unit for smoke and heat exhaust ventilation systems operating with 24 V DC voltage, suitable for staircases.			

**TECHNICAL DATA (Rated values)**

Operating voltage:	230 V AC (195 – 253 V AC, 50/60 Hz)
Max. power consumption:	805 W
Output voltage:	24 V DC (20 – 28 V DC / 0,5 Vpp)
Output current:	<b>20 A</b>
Ambient temperature range:	-5°C ... + 40°C
Protection rating:	IP40 IP54 with alternatively fixing brackets
Housing:	Surface mounting, steel sheet, RAL 7035 (light grey)
Dimensions (WxHxD):	400 x 400 x 200 mm
Connection terminals:	1,5 mm <sup>2</sup> / Drives: 6 mm <sup>2</sup> (rigid wire)
VdS certification no.:	G 514001
Motherboard:	<b>1 SHEV group / 2 Vent groups</b>

**Feature/Equipment**

- Further settings (e.g. maintenance period) only available with extra cost software license
- Cable entry from above / below
- Prepared for **2** maintenance-free backup batteries **2x 12 V / 7 Ah** (Part. Nr. 542000)

		Part.-No.		
<b>EMB7300 20 A 0204</b>		<b>683220-0204</b>		
<b>Application:</b>	Compact control unit for smoke and heat exhaust ventilation systems operating with 24 V DC voltage, suitable for staircases.			

**TECHNICAL DATA (Rated values)**

Operating voltage:	230 V AC (195 – 253 V AC, 50/60 Hz)
Max. power consumption:	805 W
Output voltage:	24 V DC (20 – 28 V DC / 0,5 Vpp)
Output current:	<b>20 A</b>
Ambient temperature range:	-5°C ... + 40°C
Protection rating:	IP40 IP54 with alternatively fixing brackets
Housing:	Surface mounting, steel sheet, RAL 7035 (light grey)
Dimensions (WxHxD):	400 x 500 x 200 mm
Connection terminals:	1,5 mm <sup>2</sup> / Drives: 6 mm <sup>2</sup> (rigid wire)
VdS certification no.:	G 514001
2x Motherboard:	<b>2 SHEV group / 4 Vent groups</b>

**Feature/Equipment**

- Further settings (e.g. maintenance period) only available with extra cost software license
- Cable entry from above / below
- Prepared for **2** maintenance-free backup batteries **2x 12 V / 12 Ah** (Part. Nr. 542200)

**10 A****20 A**

## ACCESSORIES

Part.-No.		VE		
<b>500001</b>	<b>Wall fixing brackets IP54</b>	4 piece		

### ORDER DATA

Part.-No.

<b>WR-Set Type 7x/8x – Wind and Rain Sensor Set</b>	<b>482100</b>		
---	---------------	--	--

**Application:** Sensors for wind and rain to work with an evaluation unit WRAG2 or Typ IV, a WM Weather-Module or directly with a SHEV control unit, for closing and blocking the natural ventilation under bad weather conditions.



#### TECHNICAL DATA (Rated values)

Rated voltage:	24 V DC (+/- 20%)
<b>Rain sensor Type III</b> – heated sensor surface, switch-off delay approx. 5 min.	
Contact:	1 Change-over switch, max. 48 V / 5A
Current consumption:	<150 mA
Housing:	Surface mounting, ABS black with stainless steel bracket
Dimensions (WxHxD):	100 x 85 x 172 mm
Connection cable:	Non-halogen cable, approx. 4 m
Volt free contac:	1 Change-over switch, max. 48 V / 1A
<b>Wind sensor Type III</b> – Anemometer with 3 impact resistant wind cups (PA6)	
Measuring principle:	Pulse generator
Dimensions:	250 x 250 x 80 mm
Connection cable:	Non-halogen cable, approx. 4 m

#### Feature/Equipment

- Set including: Wind sensor Type III (Part.-No. 482021), rain sensor Type III (Part.-No. 480210), clamp ring (Part.-No. 515950), aluminium bracket for pole or wall mounting (Part.-No. 482093), without mounting screws

<b>BI-K - KNX Interface LZ1 / LZ6 / EMB 7300</b>	<b>683999</b>		
--	---------------	--	--

**Application:** Plug-in card for communication between the controllers **AUMÜLLER** LZ1, LZ6 and EMB 7300 to the KNX BUS system.



#### TECHNICAL DATA

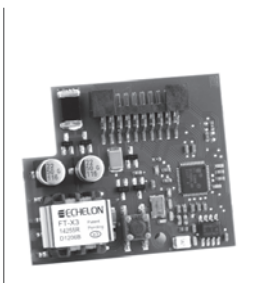
Rated voltage:	24 V DC
Ambient temperature range:	-5°C ... + 40°C
Relative humidity:	(no condensate) 5% ... 90%
Data points:	up to 16 pieces per drive line
BUS current:	9mA
Housing:	without (assembled PCB)
Dimensions (WxH):	51 x 42 mm
Connection terminals:	2 x 2 x 0,8 mm (KNX-BUS-Terminal)

#### Feature/Equipment

- Data of the control (e.g. drive position) are sent on the KNX-BUS.
- The controls received direct orders from the KNX-BUS (e.g. position information, weather data).
- The licensed version of the „EMB compact configurator“ required - for commissioning.

<b>LON73</b>	<b>683243</b>		
--------------	---------------	--	--

**Application:** Plug-in network card for EMB7300 for connection and integration in LON-networks.



#### TECHNICAL DATA

Rated voltage:	24 V DC
Ambient temperature range:	-5°C ... + 40°C
Relative humidity:	(no condensate) 5% ... 90%
Housing:	w/o (assembled PCB)
Dimensions (WxHxD):	40 x 50 x 13 mm
LON-Transceiver:	LPT10
Connection terminals:	Clamping range 0,6 – 0,8 mm (rigid wire) (included in delivery)

#### Feature/Equipment

- Connector for plugging the network card to the motherboard.
- Plastic holder for fixing the plug-in card on the motherboard .
- Configuration of the functional performances of connected control units via LON-Maker or compatible software.
- The licensed version of the „EMB compact configurator“ required - for commissioning.

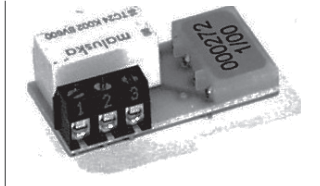
<b>OPTIONS</b>			
<b>LON programming</b>			
Programming the LON73 - 2x EMB7300 master / slave	<b>683270</b>		

**ORDER DATA**

Part.-No.

REL65

**Application:** Plug-in card for EMB7300 with relay for forwarding the alarm or fault signal to external devices.



**TECHNICAL DATA**

Rated voltage: 24 V DC  
 Ambient temperature range: -5°C ... + 40°C  
 Housing: w/o (assembled PCB)  
 Dimensions (WxHxD): 20 x 40 x 13 mm

Volt free contac: 1 Change-over switch, max. 48 V / 1A  
 Connection terminals: 3x 1,5 mm² (rigid wire)

**Feature/Equipment**

- Connector for plugging the relay card to the motherboard

**VERSIONS**

Part.-No.					
650200	Delivery in parcel	for customer self-installation			
650200-9	Module factory fitted	factory fitted and fully wired			

7xPSB

**Application:** Plug-in card for EMB7300 for connection and powering of external consumers with **24 V DC voltage**.



**TECHNICAL DATA**

Rated voltage: 24 V DC  
 Ambient temperature range: -5°C ... + 40°C  
 Output current: **0,5 A**  
 Housing: w/o (assembled PCB)  
 Dimensions (WxHxD): 20 x 32 x 13 mm

Connection terminals: Screw terminals 1,5 mm² (rigid wire)  
 Voltage tap: 2 terminals 24 V DC backup voltage supplied  
 2 terminals 24 V DC mains voltage supplied

**Feature/Equipment**

- Connector for plugging the card to the motherboard
- Screw-type-terminal 4 x 1,5 mm²

**NOTE:** The overall power consumption of connected external consumers is to be considered!

**VERSIONS**

Part.-No.					
683256	Delivery in parcel	for customer self-installation			
683256-9	Module factory fitted	factory fitted and fully wired			

## ORDER DATA

Part.-No.

## USB-Cable

683253

**Application:** USB-Cable for connecting a PC with EMB7300 to configurate basic and special functions.



## TECHNICAL DATA

USB-Standard: USB2  
Cable length: 3 m

## Feature/Equipment

- Software „EMB-Compact“ required!

## Accumulators

**Application:** Maintenance of standby operation of SHEV control units over a period of 72 hours of main power supply loss.



## TECHNISCHE DATEN

Type: Lead storage battery  
Output voltage: 12 V DC  
Capacity: see order data  
Lifetime: 4 years (normal conditions)  
Connections: 1,2 – 12 Ah: blade terminals 4,8 mm  
17 – 38 Ah: screw terminals M5  
Housing: plastic, impact- and break-resistant

## Feature/Equipment

- Maintenance free operation, long lasting durability, high charging performance and long-cycle stability
- Disposal due to local, national or international rules (WEEE)

**NOTE:** Always 2 batteries are required per control unit!

## OPTIONS

## for control units with backup power supply

2,2/2,3 Ah, 12 V	1 Pcs.	541000		
7 Ah, 12 V	1 Pcs.	542000		

## SOFTWARE / LICENSE / PROGRAMMING

## Configuration software for extended scope of functions

System Requirements: Microsoft® Windows 7 / Microsoft® Windows 10  
64 Bit

Part.-No.

First software license (3 years)	683260		
Follow-up software license (3 years)	683261		
Configuration of customized functions at the factory for one Control Unit	683262		

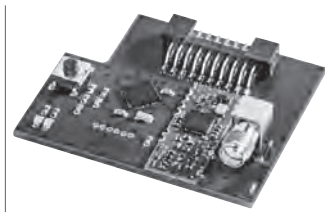


ORDER DATA

Part.-No.

<b>Receiver plug-in card radio SHEV</b>	<b>528738</b>			
---	---------------	--	--	--

**Application:** Plug-in card for radio communication between the **AUMÜLLER** SHEV Control Unit EMB 7300 and **up to 10 Radio-HSE**.



**TECHNICAL DATA**

Rated voltage:	24 V DC
Ambient temperature range:	-5°C ... + 40°C
Relative humidity:	(no condensate) 5% ... 90%
Housing:	without (assembled PCB)
Dimensions (WxH):	51 x 42 mm
Connection:	SMA antenna connection

**RADIO**

**Feature/Equipment**

- Production of a bidirectional communication between **Radio-HSE** and **AUMÜLLER** SHEV Control Unit EMB 7300.
- The licensed version of the „EMB compact configurator“ required - for commissioning.

<b>Radio Antenna</b>	<b>528737</b>			
----------------------	---------------	--	--	--

**Application:** Radio Antenna for radio communication between the **AUMÜLLER** SHEV - Control Unit EMB 7300 and up to 10 Radio-HSE (Break-glass unit main control panel).



**TECHNICAL DATA (Rated values)**

Ambient temperature range:	-5°C ... + 40°C
Relative humidity:	(no condensate) 5% ... 90%
Dimensions (WxHxD)	34 x 265 x 82 mm
Connection:	SMA antenna connection

**RADIO**

**Feature/Equipment**

- Production of a bidirectional communication between Radio-HSE and EMB 7300.
- The licensed version of the „EMB compact configurator“ required - for commissioning.

<b>Radio-HSE - Break-glass unit main control panel (plastic)</b>				
--	--	--	--	--

**Application:** Break-glass unit with indicators and buttons for the manual control of the emergency open and close functions of a SHEV group, for radio-connection in the **AUMÜLLER** SHEV - Control Unit EMB 7300.



**TECHNICAL DATA (Rated values)**

Operating voltage:	3,6 V DC
Ambient temperature range:	-5°C ... + 40°C
Housing:	Surface mounting, plastic (ABS)
Dimensions (WxHxD)	130 x 130 x 32 mm
Protection rating:	IP30
Display:	Emergency OPEN, power, fault
Control elements:	Buttons for emergency OPEN / CLOSE

**RADIO**

**Feature / Equipment**

- Lockable, glazed door (including key)
- Radio button
- 3,6 V Lithium battery
- The licensed version of the „EMB compact configurator“ required - for commissioning.

**VERSIONS**

<b>Radio-HSE</b>	plastic red	(similar to RAL 3000)	<b>528731</b>		
<b>Radio-HSE</b>	plastic yellow	(similar to RAL 1018)	<b>528732</b>		
<b>Radio-HSE</b>	plastic grey	(similar to RAL 7035)	<b>528733</b>		
<b>Radio-HSE</b>	plastic blue	(similar to RAL 5015)	<b>528734</b>		
<b>Radio-HSE</b>	plastic orange	(similar to RAL 2011)	<b>528735</b>		

**OPTIONS**

<b>Spare battery 3,6 V Lithium</b>	<b>545050</b>			
------------------------------------	---------------	--	--	--

**RADIO**

### ORDER DATA

Part.-No.

**Radio Ventilation Control FLS 24V**

**623000**

**Application:** Room automation control unit for one drive 24 V DC or one SHEV Control Unit, including a weather station with rain, temperature, sun and wind sensor and a radio control with indoor temperature sensor.



#### TECHNICAL DATA

<b>Radio control frequency:</b>	868,2 MHz
<b>Control Panel</b>	
<b>Housing:</b>	plastic material
Total weight:	approx. 170 gr. (including batteries)
<b>Colour:</b>	matt white (similar to RAL 9016)
Mounting:	surface mounted (aP)
Dimensions (W x H x D):	approx. 103 x 98 x 28
Ambient temperature range:	operation 0...+50°C, storage -10...+50°C
Ambient air humidity:	max. 80% rF, avoid bedewing
Operating voltage:	2 x 1,5V (2 batteries, AA / mignon / LR6) <b>or</b> 2 x 1,2V (2 rechargeable batteries, AA / mignon / LR6)
<b>Weather Station</b>	
<b>Housing:</b>	plastic material
Total weight:	approx. 200 gr.
Colour:	white / translucent
Mounting:	surface mounted (aP)
Protection rating:	IP 44
Dimensions (W x H x D):	approx. 96 x 77 x 118
Ambient temperature range:	operation -30...+60°C, storage -30...+70°C
Operating voltage:	12 - 40 V DC
Power consumption:	approx. 2,2 W (at 24 V), standby approx. 2 W (at 24 V)
Switching capacity relay:	(OPEN / CLOSE / COM) volt free contacts
Rain sensor heating:	approx. 1,2 W
Temperature measurement range:	-40...+80°C
Wind measurement range:	0...35 m / sec
Brightness measurement range:	0...150 kLux

#### Feature/Equipment

- Radio connection between weather station and control panel.
- Control panel for basic setting, setting of the automatic function and for manual operation.
- Opening position adjustable for automatic mode (e.g. open only halfway).