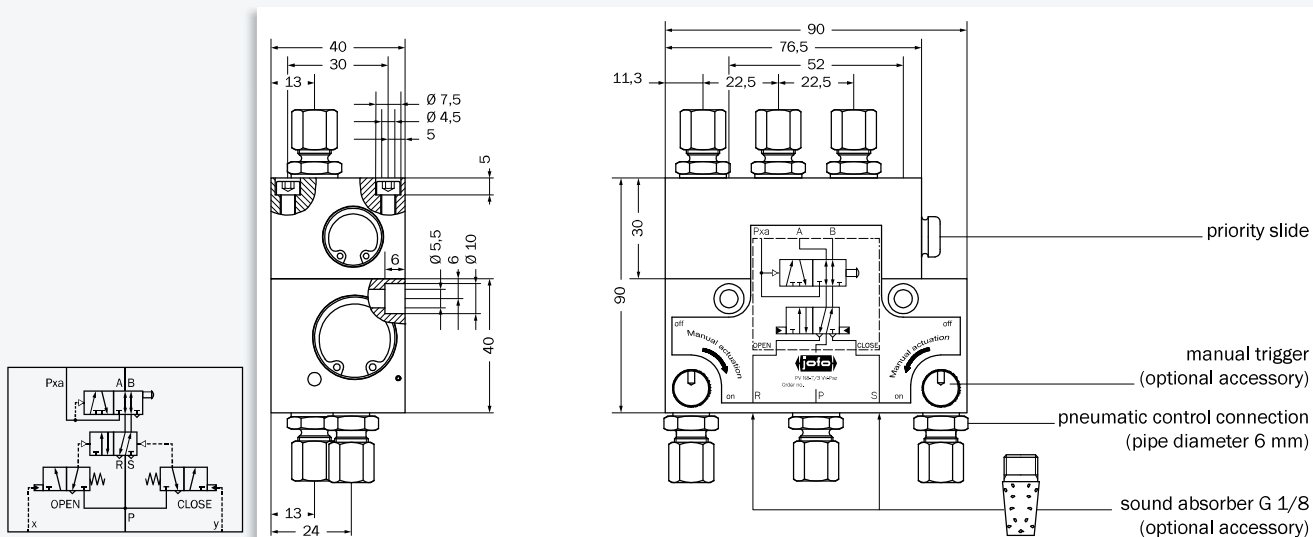


Order designation: PV N_-7/3 W-Paz
 Example: PV N6-7/3 W-Paz



Short description

The cylinder line pressurized with air power is vented until the counter-pulse and then vented. Additionally, the valve has an absolute priority control of CO₂ "Open".

Operation

Via the pneumatic pulse on the corresponding control connection the required cylinder line is pressurized with air power. When Pxa "Open" is pressurized the priority slide is activated by a manual trigger. This blocks the air power. After the venting of Pxa "Open" the priority slide must be repositioned manually. Also a change of the switch position via the manual trigger is possible (optional accessory).

Technical data

medium	a) filtered, dry and unooled compressed air according to DIN ISO 8573-1 b) CO ₂
operating pressure	air power 2 – 12 bar
nominal passage	500 NL/ min (with pipe diameter 6 x 1 mm)
connection thread	G 1/8
VdS number	G 510005
ambient temperature	-25 °C to +55 °C
mounting position	preferred
materials	aluminum, niro, Perbunan sealings
maintenance	no
PV N6-7/3 W-Paz	connection G 1/8, pipe Ø 6 mm
PV N6-7/8 W-Paz	connection G 1/8, pipe Ø 8 mm

Accessories

valve boxes	→chapter 4.5, page 125, "Valve Boxes"
sound absorber	→chapter 4.5, page 127, "Valve Boxes and Door Variants"
manual trigger	optional