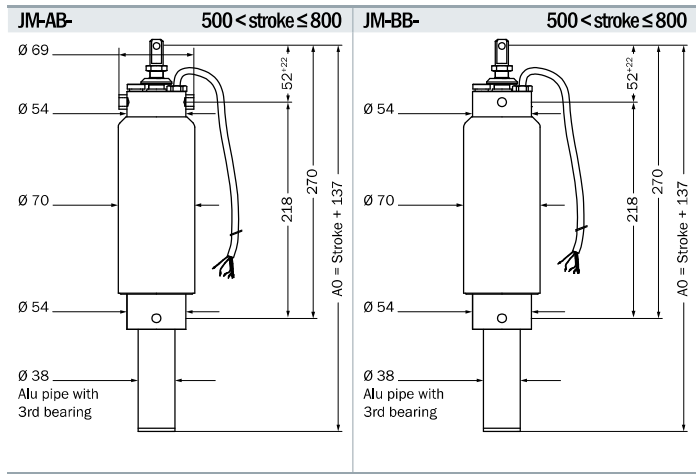
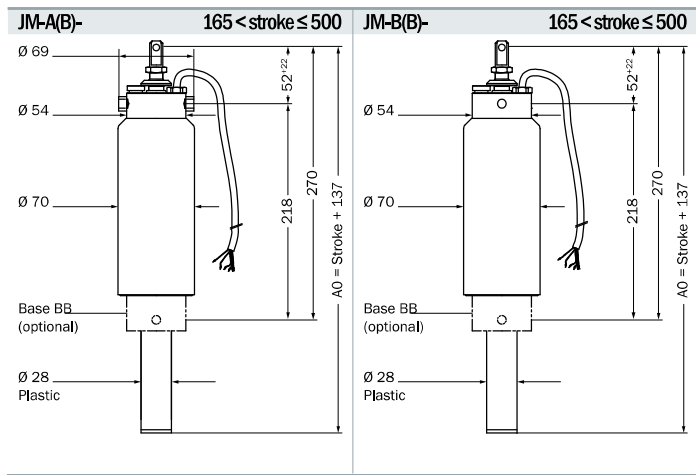
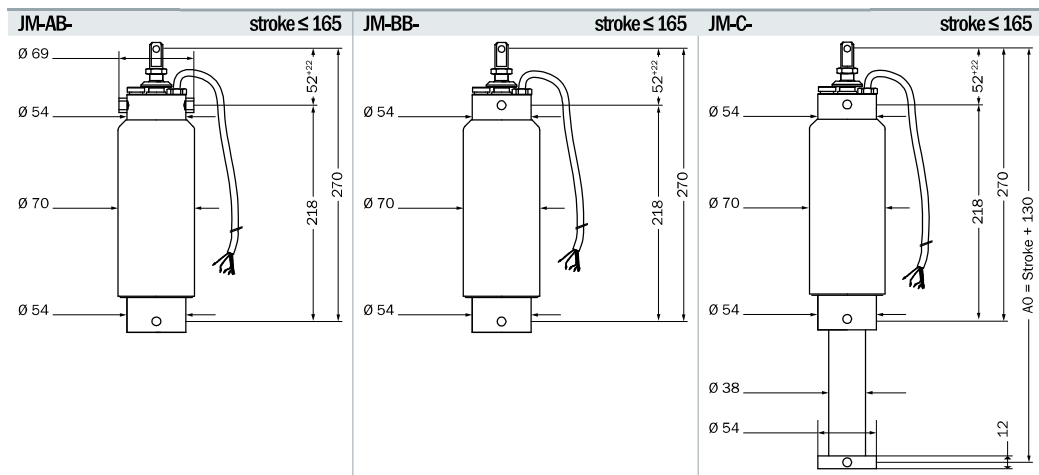


Order designation: JM support (connector) - force - stroke - type of shut down (0, L, LS)
 Example: JM-AB-500-300-LS



For motor openers with a stroke higher than 300 mm and a mounting angle higher than 30° from the vertical, the motor opener must be taken up in the motor basis (type "BB" or "AB")

frequency	50 Hz
stroke	standard 100, 165, 200, 300, 400, 500
stroke/tensile force	500 N / 350 N
voltage	230 V AC
ambient temperature	-5 °C to +60 °C

Technical data