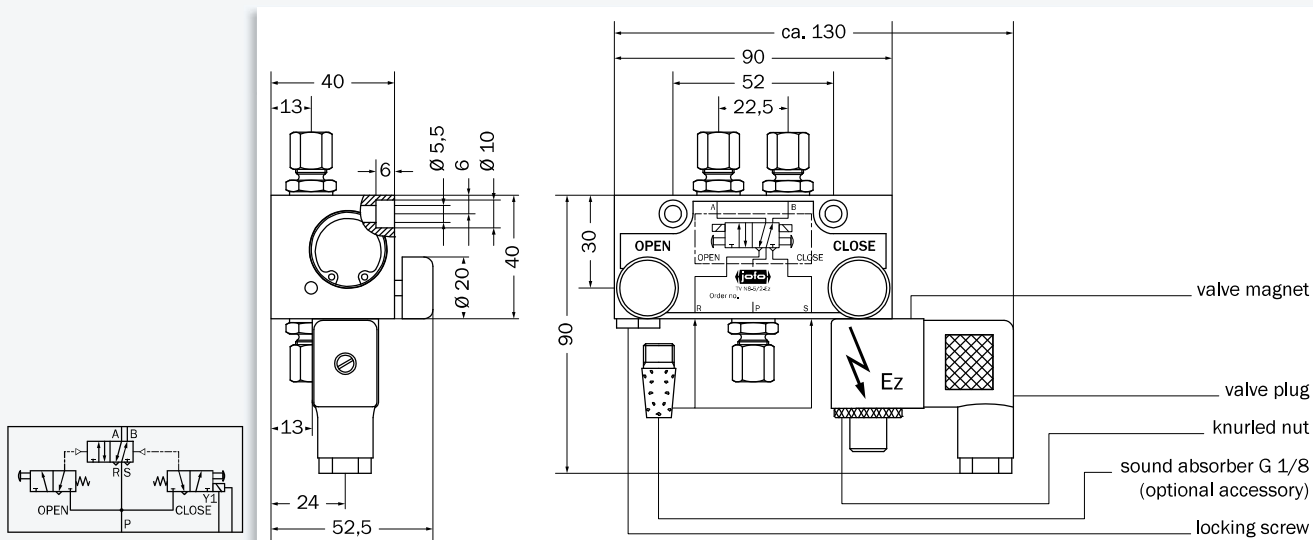


Order designation: TV N\_-5/2-Ez \_\_\_ V\_C  
 Example: TV N6-5/2-Ez 24 V DC



### Short description

The cylinder line pressurized with air power is vented until the counter-pulse and then vented.

### Operation

When the corresponding pushbutton is activated the required cylinder line is pressurized with air power. Also by an electric pulse on the valve magnet, the cylinder line "B" can be pressurized with air power.

### Technical data

medium	a) filtered, dry and unooled compressed air according to DIN ISO 8573-1 b) CO <sub>2</sub>	
operating pressure	air power 2 – 12 bar	
nominal passage	500 NL/min (with pipe diameter 6 x 1 mm)	
connection thread	G 1/8	
DC voltage	normal voltage 12 V, 24 V	valve magnet according to DIN 0580
AC voltage	normal voltage 230 V/50 Hz	
power consumption	DC voltage 4,5 W AC voltage 10/8 VA	electr. plug connection according to DIN 43650 protection class for electr. plug connection IP 65
max. duty cycle	100 % ED	
protection class	IP 54	
ambient temperature	-20 °C to +50 °C	
mounting position	preferred	
materials	aluminum, niro, Perbunan sealings	
maintenance	no	

TV N6-5/2-Ez ___ V_C	connection G 1/8, pipe Ø 6 mm
TV N8-5/2-Ez ___ V_C	connection G 1/8, pipe Ø 8 mm

### Accessories

valve boxes	→chapter 4.5, page 125, "Valve Boxes" →chapter 4.5, page 127, "Valve Boxes and Door Variants"
sound absorber	optional