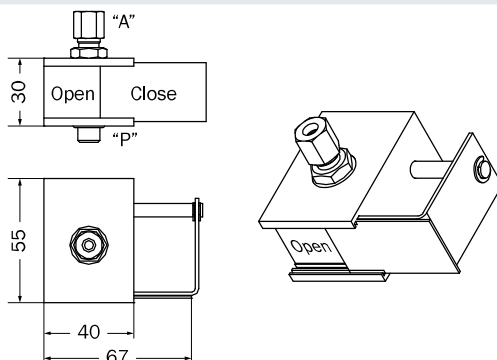
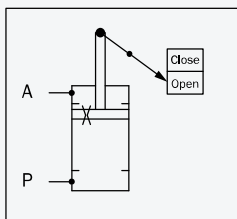
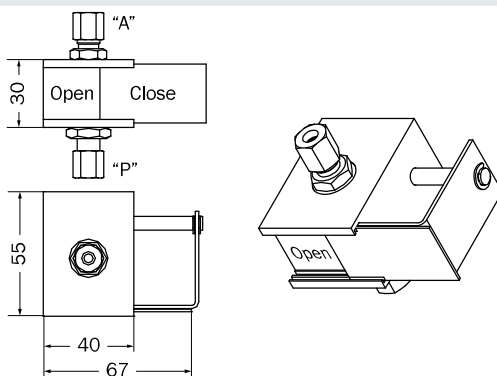


Order designation: SSi 25 for _____
 Example: SSi 25 for HA and AK


SSi 25 for HA and AK

SSi 25 for tube assembly

Short description

The built-up pressure in front of the flask causes the switching of the visual display cylinder from "P" to "A". But the cylinder also switches in the opposite direction with the aid of the return air when "P" is vented. The return switching does not function in equipment with quick venting valves, where there is no back pressure.

Technical data

nominal width	1 x Ø 4 = 12,56 mm ²
medium	a) filtered, dry and unooled compressed air according to DIN ISO 8573-1 b) CO ₂
operating pressure	5 to 90 bar
ambient temperature	-25 °C to +55 °C
materials	aluminum, niro, Perbunan
weight	0,207 kg
maintenance	no