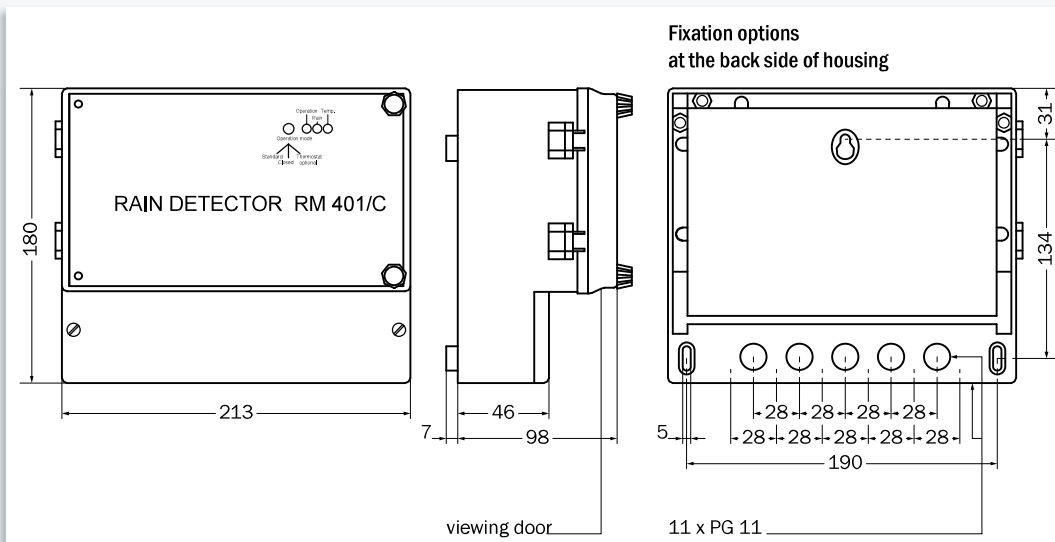


Order designation: Rain detector RM 401/C


Short description

The rain detector device consists of a rain detector unit RM 401/C and the rain sensor RS 401 (the RS 401 must be ordered separately). The device conduces to the automatic closing of electrically operated windows, louver systems and similar uses when rain or snow is starting. The rain detection is performed by the externally connected rain sensor RS 401. Alternatively, with the RM 401/C the ventilation can also be controlled via an externally connected thermostat, or an externally connected ventilation sensor, where the rain detection has the highest priority.

The switch condition for rain or temperature is signaled by a light diode. There are one not potential-free and two potential-free changeover contacts available (230 V AC) for the control of the motors.

Rain sensor RS 401 and rain interpretation

When rainwater gets onto the sensor electrodes, a signal is routed to the RM 401/C and the switching operation of the exit relay is triggered. This switch operation is displayed by a "Rain" LED. After drying of the electrodes by the installed heater, the output relays fall back.

Technical data

Type	RM 401/C
exit relays	group 1: one not potential-free contact 230 V AC/ max. switch capacity 230 V AC / 8 A groups 2 and 3: potential-free contact switch capacity 230 V AC / 8 A
housing	colour grey (similar to RAL 7035, Light grey), with see-through door
power consumption	max. 8 W
option	connection of: <ul style="list-style-type: none"> • 1 thermostat type RTR 6124 / 24 V AC • 3 pieces. e.g. double rocker switch LT1-UP/AP-DW with O/C/ Stop – ventilation function • 1 manual/automatic switch or a central-"Close" switch
visual display	operation/rain/temperature
rain sensor	measuring principle: conductometry electrode heating integrated into sensor the rain sensitivity is adjustable in 3 levels by a jumper (low, medium, high), rain acceleration delay practically 0 seconds. rain deceleration delay, adjustable to 5– 10 minutes.
protection class	IP 54
temperature range	temperature class 3, as in VdS 2581 (-5 °C up to +40 °C) temperature class 3, as in VdS 2593 (-5 °C up to +40 °C)
power supply voltage	230 V AC / 50 Hz

Accessories

rain sensor RS 401	→chapter 11.4, page 415, "Rain Sensor RS 401"
--------------------	---