

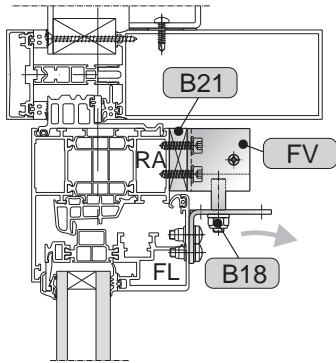
SPECIAL FEATURES FV1 / FV3 / FV4

- For natural ventilation, smoke and heat exhausting and ferralux® NSHEV (EN12101-2)
- Versions:
 - FV1 – without internal cut-off switch and sequence control, for use in RWA hardware systems with USKM module
 - FV3 – with internal load dependent cut-off switch and sequence control for drives PL6 S1 / PL10 S1
 - FV4 – Version SW-V2 (software) with M-COM suitable internal load dependent cut-off switch and sequence control for drives S3 /S12 (star wiring, drive current does not run over FV4, sequence control via communication wire)
- Number of locking points (VP)
 - 1 VP – Housing 420 mm as right or left handed version
 - 2 VP – Housing 1200 mm or 2000 mm
 - 3 VP – Housing 2000 mm
- Small locking bracket for 18 mm mounting space on window frame profile
- Robust corrosion-resistant design in a slim aluminium housing (Lx35x35 mm) or optionally in RAL colors
- Easy installation due to concealed holes below the oblique end caps
- Cable connection terminals below the end cap (in FV3 and FV4)

For this product series, a Type III Environmental Product Declaration (EPD) was issued according to ISO 14025 and EN 15804. The LCA results of the different product types are listed at the end of this product catalogue. The EPD documents can be viewed or downloaded from our homepage www.aumueller-gmbh.de.

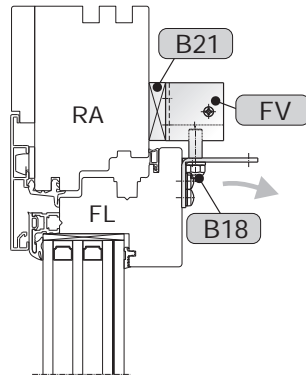
TYPICAL APPLICATIONS

1 RM, inward opening window



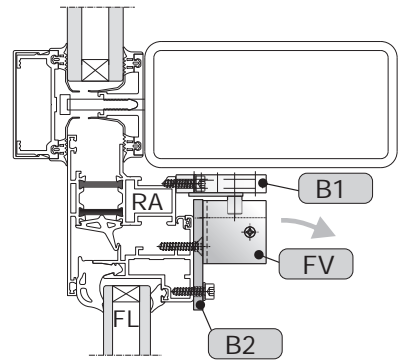
View on aluminium window

2 RM, inward opening window



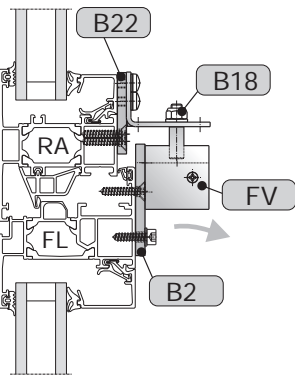
View on wooden window

3 FM, inward opening window



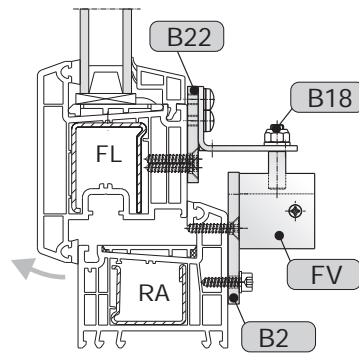
View on aluminium window

4 FM, inward opening window



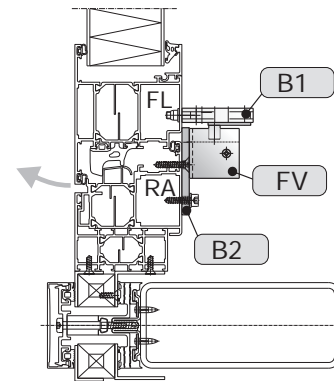
View on aluminium window

5 RM, outward opening window



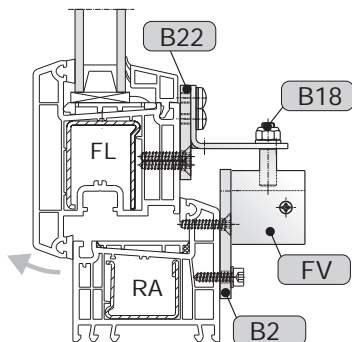
View on PVC-window

6 RM, outward opening window

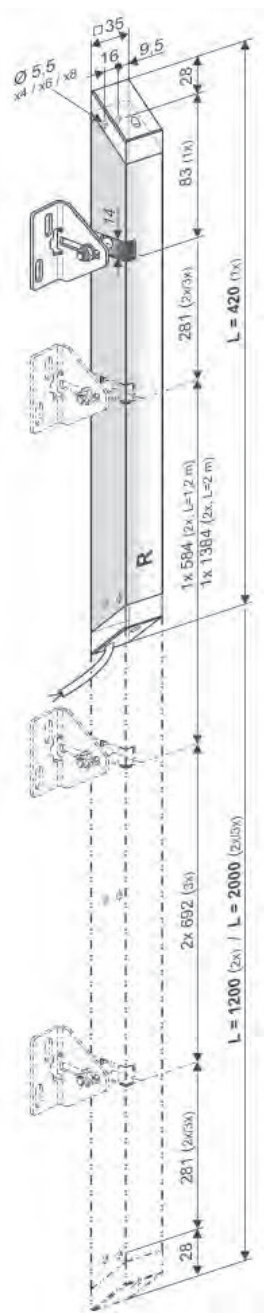


View on aluminium window

7 RM, outward opening window



View on aluminium window



- Application: natural ventilation, SHEV, ferralux®-NSHEV
- Surface mounting on the window frame/casement profiles of the main/side closing edge (HSK/NSK) of in-/outward opening windows. Locking bracket mounted on the casement
- Required mounting space 35 mm
- Can be installed without locking bar

Options

- Mounting plate for installation on the window frame profile (RM) of outward opening windows or on the casement profile (FM) of inward opening windows
- Slim locking bracket 18 mm for small mounting space on the window frame profiles

FV1

- Without internal cut-off switch and sequence control, for use in RWA hardware systems with USKM module

FV3

- With internal load dependent cut-off switch and sequence control for drives PL6 S1 / PL10 S1 (I = 0.8A)

FV4

- M-COM suitable internal load dependent cut-off switch and sequence control for drives S3 / S12
- Star wiring
- Current of the drives does not run over FV4
- Sequence control via communication wire

TECHNICAL DATA

U_N	Rated voltage	24V DC (19V ... 28V)
I_N	Rated current	0,6 A
I_0	Quiescent current	~ 300 mA
P_N	Rated power	20 W
I_D	Current of connected drives	FV1: USKM FV3: 0,8 A (PL 6/10 S1) FV4: S3 / S12 non relevant
DC	Duty cycle	5 cycles (ED 30 % - ON: 3 min./OFF: 7 min.)
	Protection rating	IP 32
	Ambient temperature range	-5 °C ... + 60 °C
F	Pushing / Pulling force max.	~ 600 N
t	Runtime	~ 5,0 s
	Connecting cable	FV1: non-halogen, grey 2 x 0,75 mm ² , ~ 3 m FV3: non-halogen, grey 2 x 0,75 mm ² , ~ 3 m FV4: non-halogen, grey 3 x 0,50 mm ² , ~ 3 m
	Housing	aluminium 35 x 35 mm
L	Length	see order data
	Versions	FV1: 1x R/L, 2x R, 3x R FV3: 1x R/L, 2x R, 3x R FV4: 1x R/L, 2x R, 3x R
	Version name	1x = 1 locking point 2x = 2 locking point 3x = 3 locking point R = right hand version L = left hand version
	Sound pressure level	≤ 70 dB (A)



ORDER DATA							
Type	L [mm]	Version	Finish	PU/pcs.	Part.-No.		
Single right hand	420	FV1 R (1x)	E6/C-0	1	515103		
		FV3 R (1x)		1	515102		
		FV4 R (1x)		1	515129		
Single left hand	420	FV1 L (1x)	E6/C-0	1	515106		
		FV3 L (1x)		1	515105		
		FV4 L (1x)		1	515130		
Double right hand	1200	FV1 R (2x)	E6/C-0	1	515111		
		FV3 R (2x)		1	515110		
		FV4 R (2x)		1	515131		
Double right hand	2000	FV1 R (2x)	E6/C-0	1	515113		
		FV3 R (2x)		1	515112		
		FV4 R (2x)		1	515132		
Triple right hand	2000	FV1 R (3x)	E6/C-0	1	515116		
		FV3 R (3x)		1	515114		
		FV4 R (3x)		1	515136		
Special model				PU/pcs.	Part.-No.		
Drive housing painted/powder coated in other RAL colours							
Lump sum for coating						516030	
Specify at order stage:				1 – 20	516004		
				21 – 50	516004		
				51 – 100	516004		
				from 101	516004		
Extra length connecting cable:							
5 m –non-halogen grey – 2 x 0,75 mm ²					501021		
10 m –non-halogen, grey – 2 x 0,75 mm ²					501027		
5 m –non-halogen, grey – 3 x 0,50 mm ²					501034		
10 m –non-halogen, grey – 3 x 0,50 mm ²					501036		
Microprocessor programming S12							
Programming drives 24V / 230V S12					524180		
Optional accessories				PU/pcs.	Part.-No.		
M-COM Configuration module for synchronised multi-drive systems (for FV4)							
				1	524177		

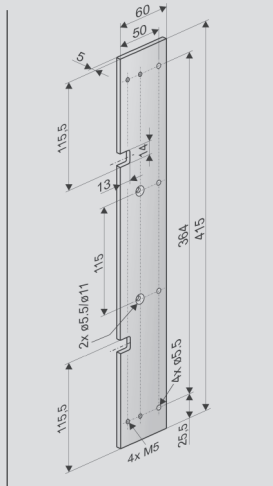
ACCESSORIES

Locking angle			
B18		<p>Application</p> <p>Surface mounting on the main/side closing edge of window frame profiles/case-ment profiles of in-/outward opening windows. Adjustable locking bolt for compensation of the profile overlap FÜ<10 mm. Required mounting space 35 mm</p>	<p>Part.-No. 301595</p> <p>Material/Finish stainless steel (1.4301)</p> <p>Feature/Equipment 1x locking pin Ø 8x30, 1x nut M6, 1x washer A6,4</p>
Accessories			
	<p>B21-1 base plate for FÜ>10 mm FV L = 420</p>	<p>Part.-No. 515181</p>	
	<p>B21-2 base plate for for FÜ>10 mm FV L = 1200</p>	<p>Part.-No. 515183</p>	
	<p>B21-3 base plate for for FÜ>10 mm FV L = 2000</p>	<p>Part.-No. 515185</p>	
	<p>B22 base plate for glazing bead</p>	<p>Part.-No. 301599</p>	
B19		<p>Application</p> <p>Surface mounting on the main/side closing edge of window frame profiles/case-ment profiles of in-/outward opening windows. Adjustable locking bolt for compensation of the profile overlap FÜ<10 mm. Required mounting space 15 mm</p>	<p>Part.-No. 301597</p> <p>Material/Finish aluminium</p> <p>Feature/Equipment 1x locking pin Ø 8x10, 1x hex head screw M6x10, 1x washer A6,4</p>

ACCESSORIES

Mounting plate

B20-1



Application

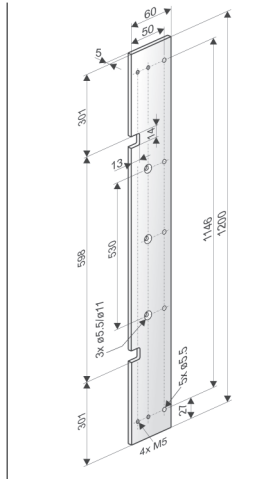
Mounting of FV1/FV3/FV4

L = 420 mm as right or left hand version on the window frame profiles of outward opening windows or on the casement profile of inward opening casements, e.g. **RWA1100** hardware systems

Part.-No. 515191

Material/Finish
aluminiumFeature/Equipment
415 x 60 x 5 mm

B20-2



Application

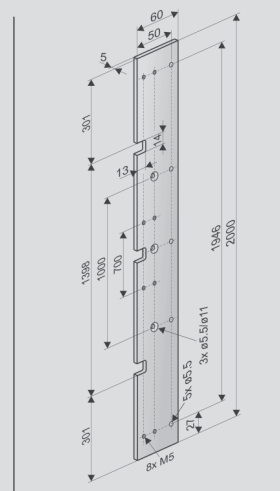
Mounting of FV1/FV3/FV4

L = 1200 mm on the window frame profiles of outward opening windows or on the casement profiles of inward opening casements, e.g. **RWA1100** hardware system

Part.-No. 515193

Material/Finish
aluminiumFeature/Equipment
1200 x 60 x 5 mm

B20-3



Application

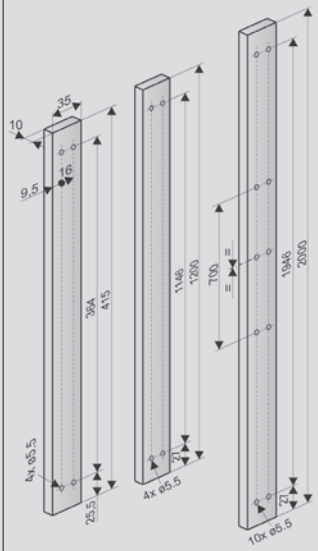
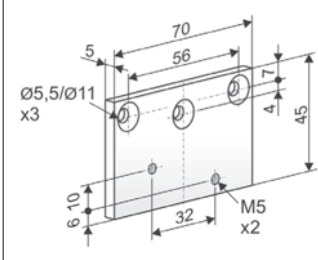
Mounting of FV1/FV3/FV4

L = 2000 mm on the window frame profiles of outward opening windows or on the casement profiles of inward opening casements, e.g. **RWA1100** hardware system

Part.-No. 515197

Material/Finish
aluminiumFeature/Equipment
2000 x 360 x 5 mm

OPTIONAL ACCESSORIES

Base plate					
B21 	B21-1 FV L = 420 B21-2 FV L = 1200 B21-3 FV L = 2000	Part.-No. 515181 515183 515185	Application Compensation of the profile overlap FÜ > 10 mm for FV1/FV3/FV4 mounted on the window frame profiles (RM) of inward opening windows 1x for FÜ > 10 mm 2x for FÜ > 20 mm	Material/Finish aluminium Feature/Equipment L x 35 x 10 mm (L = 415, 1200, 2000) mm	
	B22 	Application Adapter plate for relocation of the mounting holes of the locking bracket B18 outside the glazing bead of outward opening windows	Part.-No. 301599	Material/Finish aluminium (E6/C-0) Feature/Equipment for locking angle B18 windows	

CASEMENT BRACKETS AND FRAME BRACKETS

Special accessories					
Special model	PU/pcs.	Part.-No.			
Casement brackets painted / powder coated in other RAL colours					
Lump sum for coating		516030			
Specify at order stage:	1 – 20	516032			
	21 – 50	516032			
	51 – 100	516032			
	from 101	516032			
Frame brackets painted / powder coated in other RAL colours					
Lump sum for coating		516030			
Specify at order stage:	1 – 20	516031			
	21 – 50	516031			
	51 – 100	516031			
	from 101	516031			