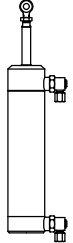
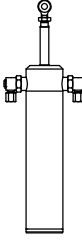
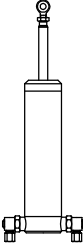
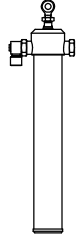
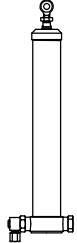
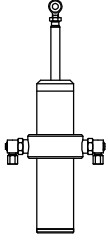

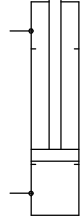
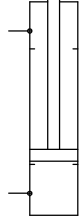
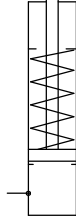
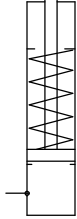
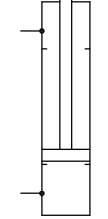


PNEUMATIC CYLINDER PZ 26 TO 90

Order designation: PZ - piston diameter - type - stroke - eyebolt
 Example: PZ - 40 - 26 - 500 - M8 / Ø 6,1

Illustration cylinder						
Type	26	27	28	82	83	90
Cylinder circuit diagram						

design	piston rod cylinder
environmental class	according to VdS 2583 environmental class III (-25 °C to +110 °C)
pressure medium	a) filtered, dry, unoled compressed air b) CO ₂
stroke	according to selection
piston diameter	32, 40, 50, 63, 80
piston rod diameter	12, 16, 20
max. dynamic operating pressure	→chapter 5.2, page 176, "Cylinder Pressure, stroke Force and Volume Table"
max. static operating pressure	60 bar
ambient temperature	-20 °C to +60 °C
maintenance	only visual control (e.g. dirty piston rod)
materials	aluminum, niro, Perbunan, galvanized steel

Technical data