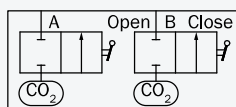
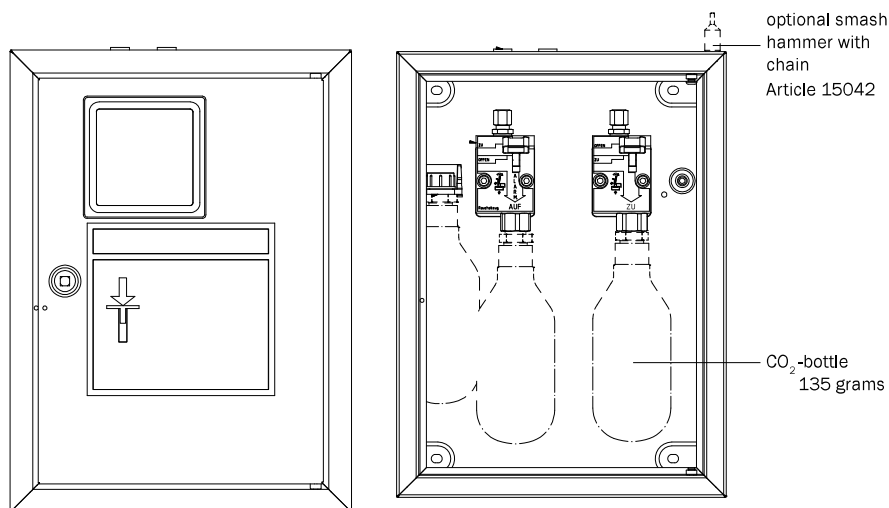


Order designation: AK 72 / box dimension - (remote activation -) cylinder threads
Example: AK 72 / 1 - Ea 24 V - Si - M 18x1.5



T = 105 mm



Short description

"Open/Close" without ventilation

The AK 72 consists of a steel case, optionally in the dimensions from 1 to 6, as well as a CO₂-trigger for SHEV "Open". and for SHEV "Close". The CO₂-triggers are situated on a mounting rail.

By pressing the manual lever of the CO₂-trigger ("Open") the CO₂-bottle is opened and energy is released via "A". By the activation of the second CO₂-trigger ("Close") – the manual lever is positioned hidden behind the door, in order to prevent a fault operation – the energy is released via "B".

ATTENTION! For ventilation the CO₂-bottle must be previously removed at the "Open"-side. The "Open"-trigger can optionally occur by means of an external control point via remote trigger.

Operation

Break the glass and push the manual lever downwards (→chapter 02, page 25, "Operating Manual CO₂-Triggers" and chapter 02, page 33, "Mounting, Operating and Maintenance Instructions").

Technical data

| Box dimension | Di. 1 | Di. 2 | Di. 3 | Di. 4 | Di. 5 | Di. 6 |
|---------------|-------|-------|-------|-------|-------|-------|
| height [mm] | 345 | 440 | 520 | 520 | 700 | 700 |
| width [mm] | 255 | 255 | 335 | 560 | 335 | 560 |

| | |
|---------------------------------|--|
| medium | CO ₂ |
| max. allowed operating pressure | 60 bar |
| test pressure | 90 bar |
| materials | aluminum, niro, brass, steel galvanized, sealings NBR |
| box colour | RAL 3 000 (Flame red) |
| connection | for pipe external diameter of 6 mm (optionally 8 mm available) |
| ambient temperature | -25 °C to +55 °C |
| maintenance | once a year (→chapter 02, page 33) |
| VdS number | G 595011 only with RAL 2011 (deep orange), following prEN 12101/9 ISO 21927-9 : 2021-03 |

Accessories

| | |
|----------------------------|---|
| remote trigger | whether pneumatic or electric (compressed gas generator / magnet trigger), →chapter 02, page 28, "Remote Trigger-AK" |
| single pipe visual display | →chapter 04.1, page 58, "Single Pipe Visual display" |
| CO ₂ -bottles | →chapter 01, page 10, "CO ₂ -Bottles and Glass Bulbs" →chapter 02, page 29, "Alarm Box for CO ₂ -Triggers" |
| flush frames | →chapter 02, page 29, "Alarm Box for CO ₂ -Triggers" |
| smash hammer | →chapter 02, page 29, "Alarm Box for CO ₂ -Triggers" |