

Short description

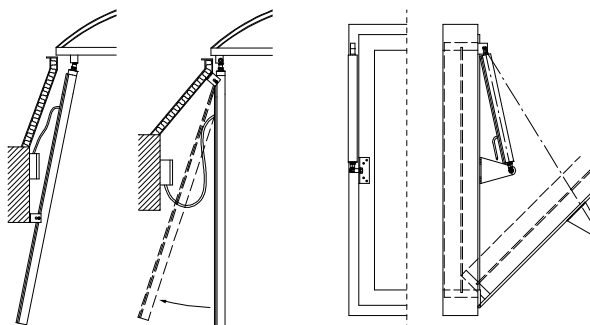
The electrical motor drive is contained in a robust aluminum box and is ideal for the opening of skylights, light domes and window casements. It can be implemented for the day-to-day ventilation or smoke and heat exhaust ventilators (SHEV). The design of the motor opener with its great variety of accessories allows for a broad range of applications. The drive complies with the fire test requirements (300 °C - 30 min.) according to DIN EN 12101-2.

The motor opener with permanently greased spindle drive is suited for the synchronous operation with a total of four structurally identical drives. For the synchronous operation of two JM-DC-SYN-motor openers a synchronization control LA-SYN is required. For the synchronous operation of up to four JM-DC-SYN-motor openers, up to two synchronous controls can be coupled. The synchronous control also comprises an adjustable electronic load disconnection which limits the lifting force in both stroke directions according to the established value. The synchronous control LA-SYN 0,55 – 2,5 A must be ordered separately.

Installation

The connection area of the motor supply line is performed in IP 65. The bracket KB 5 is part of the delivery scope (not for JM-DC-B).

The maximum line length between the drive and the LA-SYN is 10 m.



Installation of the JM-DC-SYN with bracket KB 5 and mounting bracket to a light dome

Installation of the JM-DC-B-SYN with angle bracket WK 1 and hinged block to a window casement

Accessories

mounting bracket, hinged block	→chapter 6.2, page 221, "Mounting Bracket FB 6/8" →chapter 6.2, page 222, "Hinged Block"
bracket	→chapter 6.2, page 230, "Bracket KB 5 for Motor Opener24 V DC" →chapter 6.2, page 233, "Angle Bracket WK 1"
load disconnection	→chapter 11.3.3, page 362, "Synchronous Control LA-SYN 0,55 – 2,5 A" →chapter 11.3.3, page 363, "Synchronous control LA-SYN 1,0 – 7,0 A"
SHEV control unit	→chapter 11.5, page 427 and following, "SHEV Control Center _____"