

WCC 103

Installation instruction

MotorController

(Version 2005)

ENGLISH	1
DEUTSCH	13
DANSK	25



Save this installation manual for the end user

UK +44 1536 614070 info.uk@windowmaster.com
Others +45 45 670 300 info.dk@windowmaster.com

www.windowmaster.com

1	Safety regulations	3
1.1	Safety	3
1.2	230V AC	3
1.3	Application	3
1.4	Cabling and electrical connection	3
2	Introduction to WCC 103	3
2.1	The MotorController's construction	3
2.2	MotorController variants	4
2.3	Max number of actuators per MotorController	4
3	Accessories	5
4	Technical data	5
5	Mounting	6
6	Installation	6
6.1	Cable routing	6
6.2	Connecting cables in the MotorController	6
6.3	Connecting protective earth and 230V AC	6
6.4	Installation of comfort keypad	6
6.5	Assembly instructions	6
7	Cable dimensioning	6
7.1	Max. cable length	6
7.1.1	Formula for calculating max. actuator cable length	7
7.1.2	Max. cable length – ±24V standard actuators	7
8	Connection plan for WCC 103	7
9	Connection description	8
10	Status and troubleshooting via LED	11
11	Commissioning and test run	11
11.1	MotorController fully installed, without operating power	11
11.2	With network power	11
11.3	Comfort keypad	11
11.4	Wind/rain sensor	12
12	Maintenance	12
12.1	Maintenance agreement	12
13	Components declaration	12

1 Safety regulations

1.1 Safety

Only allow correspondingly trained, qualified and skilled personnel to carry out installation work.

Reliable operation and the avoidance of damage and hazards are only guaranteed if installation and settings are carried out carefully in accordance with these instructions.

There may be personal danger by electrically operated windows:

- the forces occurring in the automatic mode can be such that parts of the body could get crushed
- when opened, actuators (spindles) could protrude into the room

For this reason, measures have to be taken prior to starting up the actuators, which exclude the danger of injury.

For safety reasons we recommend to install opening restrictors on bottom-hung windows.

In the event that windows are subjected to rain and/or high wind loads, we recommend connecting a wind/rain sensor to the MotorController for the automatically closing of the windows.

The MotorController is to be located in a safe place, protected from the effects of fire and smoke.

The MotorController is to be surface mounted.

The MotorController is supplied by 230V AC.

The manufacturer does not assume any liability for possible damage resulting from inappropriate use.

1.2 230V AC

230V AC can cause death, severe bodily injury or significant damage to property.

The MotorController must be disconnected from the power supply before being opened, mounted or performing any alteration of the construction.

Power supply to the MotorController must be done via external two-pole or multi-pole circuit breaker. The MotorController is to be supplied with Phase conductor, Neutral conductor and Earth conductor

Applicable national regulations must be complied with.

1.3 Application

The MotorController is solely designed for the automatic opening and closing of windows, flaps and doors.

Always check that the system complies with applicable national regulations.

The cable cross section will depend on wire length and power consumption. See chapter "Cable dimensioning".

1.4 Cabling and electrical connection

WindowMaster recommends powering the MotorController from its own group.

Cable routing and connection - adhere to national regulations.

Establish the cable types, if necessary, with the local approval bodies.

Do not conceal flexible cables.

Junction box must be accessible for maintenance purposes.

Disconnect all poles of the mains voltage prior to starting maintenance work or making changes to the system.

Secure the system to prevent unintentional switching on again.

Route all low voltage cables (24VDC) separate from the power current cables. Design cable types, lengths and cross sections in accordance with the technical information. Cable specifications is a guide only, the overall responsibility resides with the electrical contractor on site. Installation must be in accordance with the national electrical regulations.

2 Introduction to WCC 103

WCC 103 is a MotorController that controls (opens/closes) 1 or more $\pm 24V$ standard window actuators on the basis of a signal from the connected components, e.g. comfort keypad (operating keypad) room sensors and weather sensors.

We recommend always connecting comfort keypad when sensors and other operators are connected so that users always, via the comfort keypads, can override the signals and open or close windows themselves should there be a need for more or less fresh air.

2.1 The MotorController's construction

The MotorController contains a 75W primary power supply (SMPS - switched mode power supply) and a printed circuit board with input, output and auxiliary supply (AUX).

WCC 103 has 1 motor line to which $\pm 24V$ standard actuators can be connected; the number of connected actuators depends on the actuator type; the following table lists the max number of actuators. Total power consumption for all connected motors may not, however, exceed 3A.

2.2 MotorController variants

Item composing				
WCC 1	03	xx	xx	
			<u>Version</u> 01 = version 1	
			<u>Variant</u> 01 = Standard variant with Schuko plug 04 = UK variant with UK network adapter	
			<u>MotorController size</u> 03 = 3A	
MotorController series 1				

2.3 Max number of actuators per MotorController

The table shows the maximum number of actuators. Total power consumption for all connected actuators may not exceed 3A. Only $\pm 24V$ standard actuators may be connected to WCC 103.

Actuator type	Max number $\pm 24V$ actuators that may be connected to WCC 103
WMD 820-1	3
WMD 820-2	2
WMD 820-3	3
WMS 306 / 309-1	3
WMS 306 / 309-2	2
WMS 306 / 309-3	3
WMS 409 xxxx 01	1
WMS 409-1	1
WMU 831 / 836 / 851 / 861-1	3
WMU 831 / 836 / 851 / 861-2	2
WMU 831 / 836 / 851 / 861-3	3
WMU 842 / 852 / 862 / 882-1	2
WMU 863 / 883-1	1
WMX 503 / 504 / 523 / 526-1	6
WMX 503 / 504 / 523 / 526-2	6
WMX 503 / 504 / 523 / 526-3	6
WMX 803 / 804 / 813 / 814 / 823 / 826-1	3
WMX 803 / 804 / 813 / 814 / 823 / 826-2	2
WMX 803 / 804 / 813 / 814 / 823 / 826-3	3
WML 820 / 825	3
WML 860-1	3
WML 860-2	2
WML 860-3	3
WMB 801/802	3
WMB 811 / 812 / 815 / 816 / 817 / 818*	2

*with 2 locking actuators on the same motor line use: 1 x WMB 811 and 1 x WMB 812. 1 x WMB 815 and 1 x WMB 816 or 1 x WMB 817 and 1 x WMB 818

3 Accessories

Accessories	
Rain sensor	WLA 331
Rain / windspeed sensor	WLA 330
Comfort keypad, 1 window or 1 window group	WSK 110 0A0B
Comfort keypad, model FUGA, surface mounting (CH version)	WSK 300
Comfort keypad, model FUGA, surface mounting	WSK 103
Room thermostat: temperature	WLA 110

4 Technical data

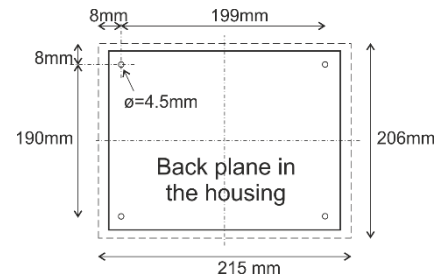
Technical data		
Output current	3A	
Secondary voltage	Voltage	24V DC ($\pm 15\%$)
	Resting potential with 230V AC without load	27.6V DC @ 20°C
	Ripple with full load	max. 6% (3.5Vpp)
AUX	24V DC, 500mA	
Motor groups / Motor lines	1 motor group with 1 motor line for $\pm 24V$ standard actuators	
Primary voltage	100-240 VAC 1.52A 50/60Hz	
Power consumption	Idling < 0.5W Full load 77 W	
Inrush current on primary side	50A < 5ms w. 230V Max. 6 x WCC 103 per 10A power supply group. Circuit breaker "C" type.	
$\pm 24V$	Min. 500ms	
LED signalling	2 green LEDs and 1 yellow indicate via blinking sequences failure and/or status of the system and motor line. See paragraph on "Status and troubleshooting via LED" for a detailed description and blinking sequences.	
Connection cable	Actuators	flexible max. 6mm ² / solid max. 10 mm ²
	Other components	min 0.2mm ² / max. 1.5mm ²
Operating conditions	-5°C - +45°C, for indoor mounting, the MotorController must not be covered	
Max actuator activation duration (duty cycle)	ED 40% (4 min. per 10 min.)	
Material	Plastic	
Colour	White (RAL 9016)	
Size	215 x 206 x 37mm (W x H x D)	
Weight	0.92kg	
Protection class	IP 20	
Safety class	I (with PE)	
Delivery	Standard version:	MotorController with 1.2 m cable with Schuko plug
	UK version:	MotorController with 1.2 m cable with Schuko plug and UK network adapter
Note	We reserve the right to make technical changes	

5 Mounting

The MotorController may either be mounted horizontally or vertically on a wall.

The MotorController is fixed to the wall through the back plate's Ø45 mm mounting holes.

The MotorController should be mounted in a secure location so that it is protected against the effects of fire and smoke.



6 Installation

6.1 Cable routing

The safety regulations in these guidelines must be closely followed. Regarding low power cable configuration we refer you to the chapter "Cable dimensioning". The cable cross sections listed in the table of cable lengths must not be reduced.

The cables are led into the MotorController's cabinet via cut-outs in the bottom. When routing cables, all applicable national regulations must be complied with. The MotorController is supplied with a 1.2 m cable with Schuko plug.

6.2 Connecting cables in the MotorController

Cables are to be connected in accordance with the chapter "Connection plan for WCC 103", the short chapters and other relevant paragraphs in these guidelines. Please ensure that connections are correctly executed - incorrect connection can lead to functional failure in the MotorController or external products.

The installation must at all times adhere to the applicable regulations, standards and guidelines.

6.3 Connecting protective earth and 230V AC

WCC 103 is factory-fitted with a power supply cable with a 230V Schuko plug with earth wire.

6.4 Installation of comfort keypad

The comfort keypad should be mounted in a visible position and within easy reach.

6.5 Assembly instructions

Always have assembly, installation, repair and maintenance of ventilation systems carried out by qualified personnel trained for this purpose.

Rules to be adhered to for setting up and installation

The following safety relevant rules have to be adhered to when planning the use of a ventilation system and its set-up and installation:

- The Provincial Building Ordinance of the provinces

Accident prevention regulations Adhere to the general accident prevention regulations (APR), the APR for power operated windows and doors, and the installation rules in your country.

Caution:

If internal coverings are removed the live current parts are exposed.

Guidelines for mounting / installation

- the MotorController should be mounted on the wall in such a way that there is free access for service inspections
- adhere to the installation instructions and your local energy providers
- select the place of installation such that free access is guaranteed for maintenance purposes
- select cables according to regulations in this instruction - take the calculation of the actuators supply cable lengths into account when laying the cables
- connect the cables in accordance with the drawings provided by the manufacturer
- route the cables in the building according to the regulations in this instruction
- check all system functions

7 Cable dimensioning

Cables should be routed in compliance with applicable regulations.

7.1 Max. cable length

The maximum permitted cable lengths from the MotorController to the actuators, taking into account the cable cross-section, are shown in the following table.

7.1.1 Formula for calculating max. actuator cable length

Max. cable length = $\frac{\text{permitted voltage drop } 2\text{V (UL)} \times \text{copper's conductivity (56)} \times \text{cable cross-section in mm}^2 \text{ (a)}}{\text{Max. total actuator current per motor line in amperes (I)} \times 2}$

For ±24V standard actuators, the cable cross-section may not be less than 0.75 mm², irrespective of the result of the above formula.

Maximum actuator cable length: Always measured from the MotorController to the last junction box + actuator cable

Permissible max. voltage drop in the line: 2 Volt

Total actuator current: The sum of all the connected actuators max. current consumption per motor line

Note: do not use the PE wire / green/yellow wire in the actuator cable!

Example

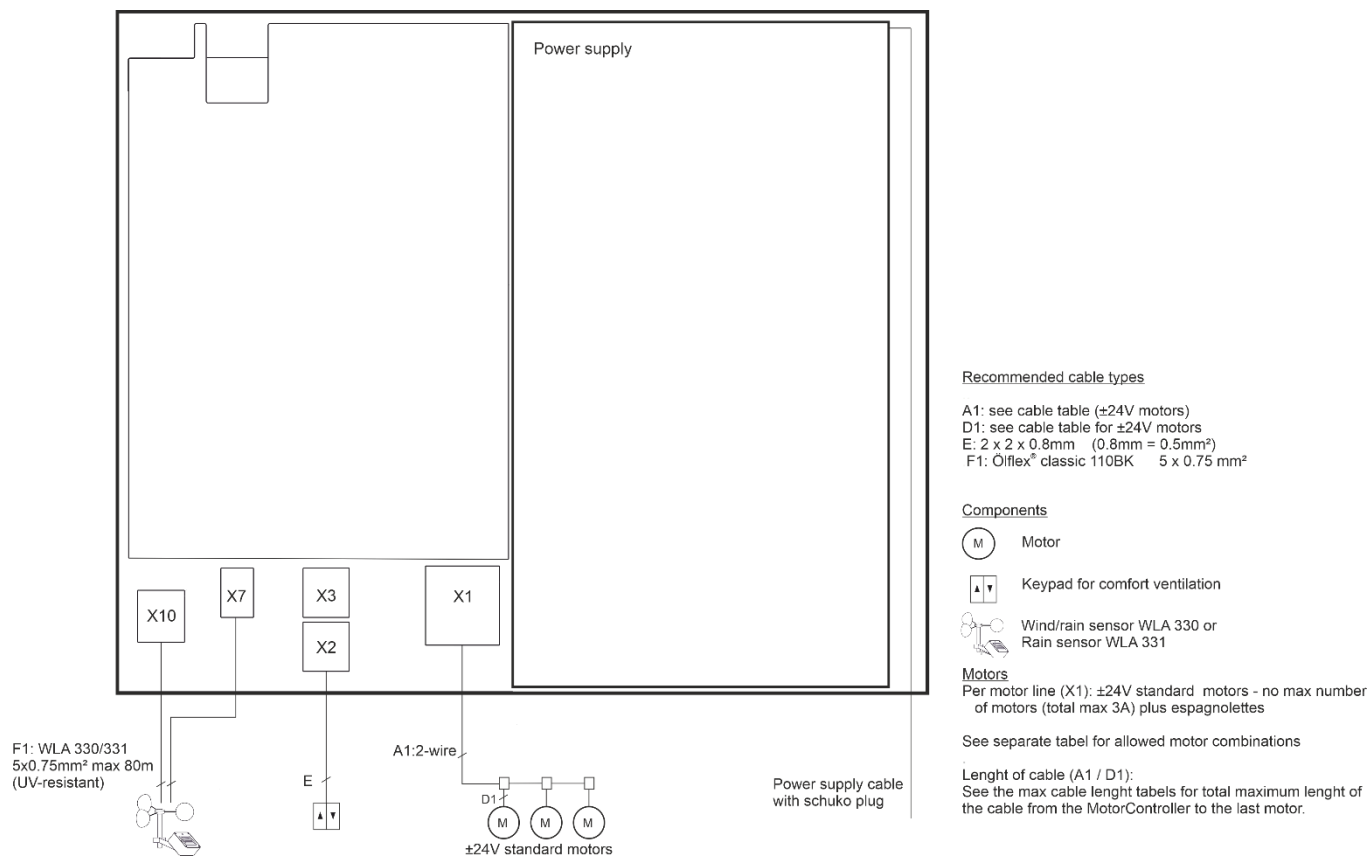
Max. actuator cable length with cable cross-section of 0.75mm² and 2A current consumption: $(2 \times 56 \times 0.75) : (2 \times 2) = \underline{21\text{m}}$

7.1.2 Max. cable length – ±24V standard actuators

The actuator cable must have 2 wires minimum.

±24V standard actuators						
The PE wire/the green-yellow earth wire must <u>not</u> be used						
Cable-cross-section [a]	3-wire 0.75mm ²	3-wire 1.50 mm ²	5-wire 1.50 mm ² 2-wire parallel	3-wire 2.50 mm ²	5-wire 2.50 mm ² 2-wire parallel	3-wire 4.00 mm ²
Total actuator current [I]						
1A	42m	84m	168m	140m	280m	224m
2A	21m	42m	84m	70m	140m	112m
3A	14m	28m	56m	47m	93m	75m

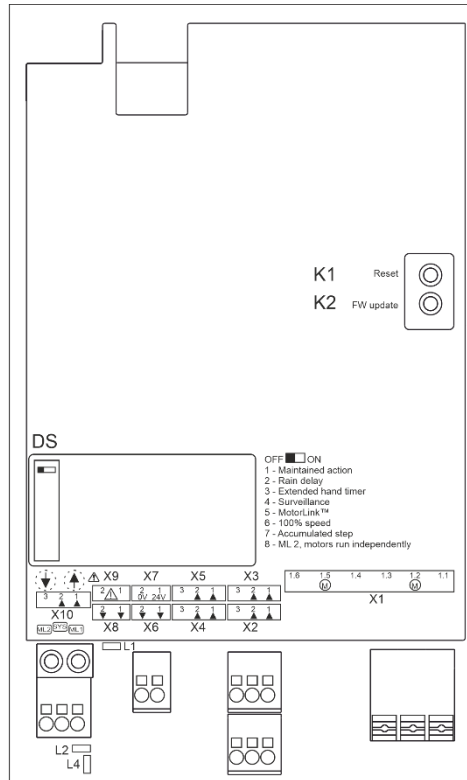
8 Connection plan for WCC 103



The above connection plan shows a WCC 103 MotorController

9 Connection description

On the WCC 103 the following can be connected: $\pm 24V$ standard actuators, comfort keypad, thermostat and similar plus wind / rain sensor.



X1	1.1 24V / 0V	} Motor line #1	X8	8.1 Output #2	} Status (open)	
	1.2 0V / 24V			8.2 Output #2		} (only available on the 106BT version)
	1.4 24V / 0V	} Motor line #2 (only available on the 106BT version)	X9	9.1 Fault	} Output	
	1.5 0V / 24V			9.2 Fault		} (only available on the 106BT version)
	X2		2.1 Open	} Comfort keypad #1	X10	
	2.2 Close	10.2 Rain				
	2.3 GND / 0V	10.3 GND / 0V				
X3	3.1 Open	} Automatic control #1	DS	DIP switch 1		
	3.2 Close		} Comfort keypad #2 (only available on the 106BT version)	↓ ↑	Close and open all windows	
	3.3 GND / 0V			K1	Reset	
X4	4.1 Open	} Automatic control #2 (only available on the 106BT version)		K2	Firmware update	
	4.2 Close		} Status (open) (only available on the 106BT version)	L1	LED 1 - Sum error	
	4.3 GND / 0V			L2	LED 2 - System status	
X5	5.1 Open	} AUX, power supply for external sensor		L4	LED 4 - Motorline #1 status	
	5.2 Close					
X6	6.1 Output #1					
	6.2 Output #1					
X7	7.1 24V					
	7.2 0V					

X1 WCC 103 contains one motor line to which only $\pm 24V$ standard actuators can be connected.

Data

- 1.1 24V / 0V
- 1.2
- 1.3 0V / 24V

The number of permitted actuators on the motor line depends on the actuator type. The total current consumption connected to the motor line may not exceed 3A. In addition to the actuators, locking actuators of type WMB 8xx may also be connected. The locking actuators' power consumption is not included in the calculated 3A as the actuators and locking actuators do not run simultaneously.

All actuators on the same motor line run/are operated at the same time.
All actuators on a motor line must be the same type.

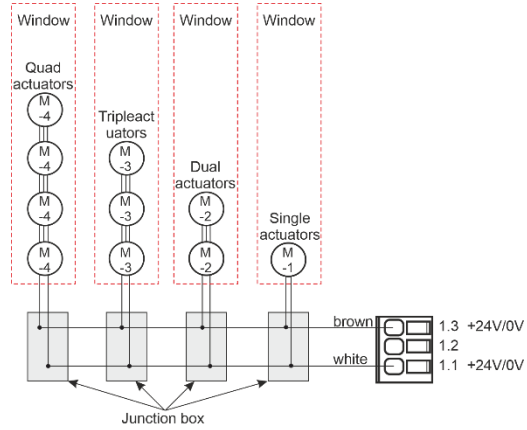
Connection / cable diameter: flexible max 6 mm² / solid max 10 mm².
Cable length: see the chapter "Cable dimensioning".

Standard ±24V actuators

Example with max. 3A current consumption

- a) 3 pcs. WMX 826-1
- b) 2 sets of 3 pcs. WMX 504-3
- c) 1 pc. WMU 883-1
- d) 2 pcs. WMU 861-2

Connecting variants to standard actuators on motor line 1



X2

Input for connection of comfort keypad

Data:

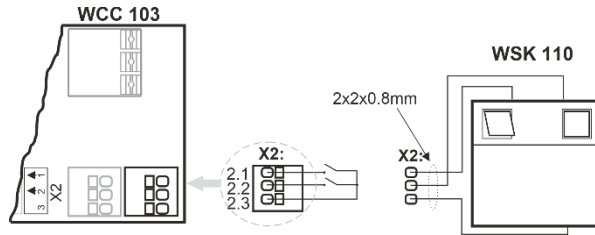
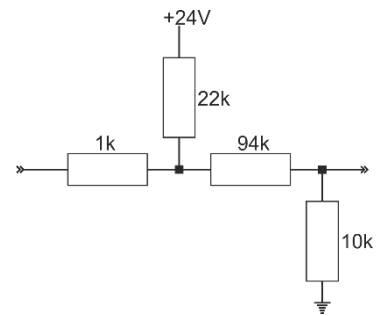
- 2.1 Open
- 2.2 Close
- 2.3 GND / 0V

With the factory-set values the input is:
 "Active" if resistor is less than 5kΩ
 "Inactive" if resistor is greater than 8kΩ.

Input has pull-up current of approx. 1mA (min. 0.9mA, max. 1.1mA) if input short-circuits.

Example: Comfort keypad connected to input X2

Input circuit (simplified)



Long press (>500ms): open/close actuator, actuator runs to end stop
 Short press: actuator stops running

X3

Input for automatic control.

Data:

- 3.1 Open
- 3.2 Close
- 3.3 GND / 0V

X3 is potential/volt free.

X3 has lower priority than X2.

X3 is blocked for 30 minutes after X2 has received a command.

X7

AUX, power supply for weather station, for example. See "X10" for a description of connection of rain/wind sensors.

Data:

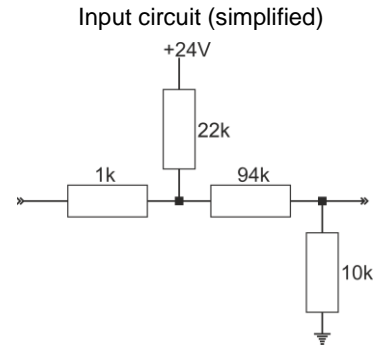
- 7.1 24V
- 7.2 0V

Maximum 500 mA

X10 Connecting wind / rain sensors of type WLA 330 or WLA 331.
Wind / rain sensor must be connected on both X10 and X7.

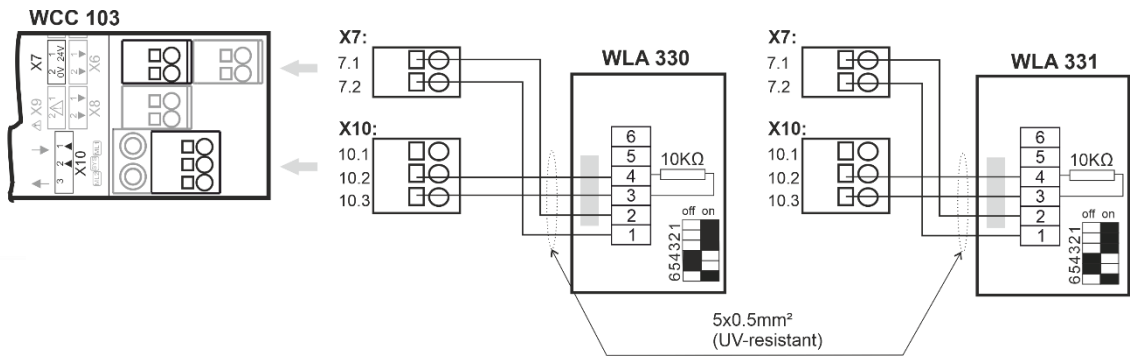
- Data:
10.1 24V
10.2 Rain
10.3 GND / 0V

With the factory-set values the input is:
“Active” if resistor is less than 5kΩ
“Inactive” if resistor is greater than 8kΩ.
For values between 4 and 8Ω, the result will depend on the supply voltage.
Input has pull-up of approx. 1mA (min. 0.9mA, max. 1.1mA)



Connecting wind/rain and rain sensor

WLA 330 and WLA 331– the sensors settings are set on the sensor.



DIP switches 1-3 on WLA 330 must be set in relation to windspeed tolerances. See the guideline for WLA 330 for DIP switch settings.

DS DIP switch for configuration of holding on connected comfort keypad on X2.

ON = holding activated
OFF = holding deactivated

Factory setting = OFF

↓ ↑ Close / Open all windows

K1 Reset

K2 FW update; to be used in line with firmware updates

LED 1 Yellow LED that indicates error on the MotorController.
If the diode is off, there is no error/failure.
See chapter, “Status and troubleshooting via LED” for more information.

LED 2 Green LED that shows status of MotorController.
If diode lights constantly, there is no error/failure.
See chapter, “Status and troubleshooting via LED” for more information.

LED 4 Green LED that shows status of the motor line.
If the diode lights for 2.4 sec, is off for 0.8 sec (repeated continuously) there is no error/failure on the motor line.
See chapter, “Status and troubleshooting via LED” for more information.

10 Status and troubleshooting via LED

In the event of failure/error of the MotorController one or more diodes will light and/or blink. On the WCC 103 there are 3 diodes - 2 green and 1 yellow - that can indicate errors on the MotorController.

Irrespective which diode lights or blinks, the indicator is based on a 3.2 second sequence that is repeated continuously. Each sequence is defined by 32 x 0.1 second time segments.

If there are several errors on the MotorController simultaneously they are displayed by priority, i.e. error messages for the most critical failures are shown first and repeated until the failure is remedied. Then error number two is shown, which likewise is repeated until the error is remedied etc. The following overview shows the most frequently occurring errors, if an error other than those listed below is indicated, contact WindowMaster.

Yellow diode – LED 1

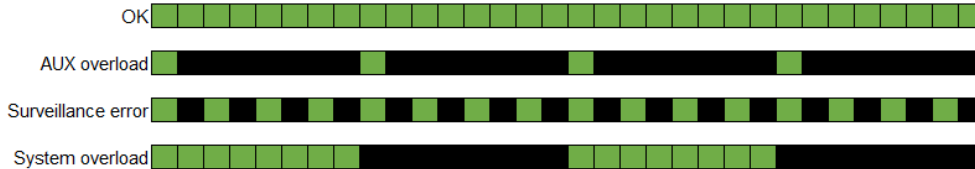
If the yellow diode lights, this indicates an error on the MotorController. Black = diode off



Error indicator on the yellow diode is a total errors indicator. Detailed information on the error type can be decoded on the green diode.

Green diode – LED 2

If the green diode LED 2 (closest to X10) blinks, this indicates the error on the MotorController. Black = diode off



Green diode – LED 4

The green diode LED 4 (furthest from X10) indicates status of or error on the motor line. Black = diode off



11 Commissioning and test run

In the event of error messages, refer to chapter "Status and troubleshooting via LED".

11.1 MotorController fully installed, without operating power

- Check all mechanical and electrical components for damage.
- Check all screw and plug connections for tightness and/or firm seating.
- Check that all external components are installed; check polarity for the ±24V actuators

11.2 With network power

Adhere to the relevant regulations!
Connect the mains cables and reapply the mains voltage.

11.3 Comfort keypad

Look closely at the actuators as they open and close - there must not be any obstacles in any position and the actuator connection wires must not be overstrained with pulling or pinching. Test every single comfort keypad.

11.4 Wind/rain sensor

- a. Open the actuators with the comfort keypads.
- b. Dampen the rain sensor, the actuators close completely.
- c. While the actuators are running, press Open button on the comfort keypad. The actuators must neither open nor stop.

If commissioning proceeds correctly, the lid of the MotorController may be fitted.

If commissioning does not proceed correctly, i.e. there is an error in one of the test points, refer to chapter "Connection description" If necessary, re-test the cable routing in accordance with chapter "Connection plan for WCC 103".

12 Maintenance

Control and maintenance should only be done by the manufacturer or an authorized partner.

Remove all soiling from the MotorController. Check fastening and clamping screws for firm seating.

Carry out a test run of the entire system (see chapter 19 'Commissioning and test run).

Only have defective units repaired in our factory. Only install original spare parts.

The expected minimum lifetime for the MotorController is 10 years.

12.1 Maintenance agreement

WindowMaster offers a maintenance agreement for MotorController. Contact our service department for further information:

Tel. +44 1536 614 070 or info.uk@windowmaster.com

13 Components declaration

The MotorController has been produced and tested in compliance with European guidelines.

The "Declaration of Conformity" is supplied with the MotorController as a separate document.

WCC 103

Installationsanleitung

MotorController

(Version 2005)

ENGLISH	1
DEUTSCH	13
DANSK	25



Bewahren Sie diese Installationsanleitung für den Endbenutzer auf

DE +49 40 87 409 -560 Vertrieb/ -489 Technik
CH +41 62 289 22 22
Others +45 45 670 300

info.de@windowmaster.com
info.ch@windowmaster.com
info.dk@windowmaster.com

www.windowmaster.com

1	Sicherheitsvorschriften	15
1.1	Sicherheit	15
1.2	230 V AC	15
1.3	Anwendungsbereich	15
1.4	Leitungsverlegung und elektrischer Anschluss	15
2	Einführung zum WCC 103	15
2.1	Der Aufbau des MotorControllers	15
2.2	MotorController-Varianten	16
2.3	Maximale Anzahl Motoren pro MotorController	16
3	Zubehör	17
4	Technische Daten	17
5	Montage	18
6	Installation	18
6.1	Leitungsverlegung	18
6.2	Anschluß von Leitungen im MotorController	18
6.3	Anschluss von Schutzerdung und 230 V AC	18
6.4	Installation des Lüftungstasters	18
6.5	Montage	18
7	Leitungsdimensionierung	18
7.1	Max. Leitungslänge	18
7.1.1	Max. Leitungslänge – ± 24V Standardmotoren	19
8	WCC 103-Anschlussplan	19
9	Anschlussbeschreibung	20
10	Status und Fehlersuche mittels LED	23
11	Inbetriebnahme und Testlauf	23
11.1	MotorController komplett installiert, ohne Betriebsspannung	23
11.2	Mit Netzspannung	23
11.3	Lüftungstaster	23
11.4	Wind-/Regenmelder	24
12	Wartung	24
12.1	Servicevereinbarung	24
13	Komponentendeklaration	24

1 Sicherheitsvorschriften

1.1 Sicherheit

Montage, Installation, Reparatur und Wartung dürfen nur von Fachleuten durchgeführt werden.

Um einen zuverlässigen Betrieb zu gewährleisten und Schäden und Unfälle zu vermeiden, müssen Montage und Installation gemäß dieser Anleitung durchgeführt werden.

Bei elektrisch gesteuerten Fenstern können Personenschäden vorkommen:

1. Die aus dem automatischen Betrieb der Fenster resultierenden Kräfte können so stark sein, dass Körperteile eingeklemmt werden können
2. Fensterantriebe (Spindeln) können in den Raum ragen. Vor Inbetriebnahme der Fensterantriebe sind daher Maßnahmen zu treffen, die die Verletzungsgefahr für Personen ausschließen.

Wenn Fenster, Regen oder hohen Windgeschwindigkeiten ausgesetzt sind, empfehlen wir, einen Regen- und/oder Windsensor an den MotorController anzuschließen, damit die Fenster bei der Komfortlüftung bei Regen oder hohen Windgeschwindigkeiten automatisch geschlossen werden.

Der MotorController muss an einem sicheren Ort installiert werden, wo er vor Feuer und Rauch geschützt ist.

Der MotorController muss auf der Oberfläche montiert werden.

Der MotorController muss mit 230 V AC versorgt werden.

Der Hersteller haftet nicht für Schäden, die durch unsachgemäßen Gebrauch entstehen.

1.2 230 V AC

230 V Wechselfspannung kann zum Tod, schweren Körperschäden oder erheblichen Sachschäden führen.

Der MotorController muss vor dem Öffnen, Installieren oder Ändern des Aufbaus von der Versorgungsspannung getrennt werden.

Die Versorgungsspannung für den MotorController muss über einen externen zwei- oder mehrpoligen Gruppenschalter erfolgen.

Der MotorController muss mit Phasen-, Null- und Schutzleiter versorgt werden.

VDE-Vorschriften beachten.

1.3 Anwendungsbereich

Der MotorController dient ausschließlich zum Öffnen und Schließen von Fenstern, Klappen und Türen.

Überprüfen Sie immer, ob das System den geltenden nationalen Vorschriften entspricht.

Der Leitungsquerschnitt ist abhängig von der Leitungslänge und der Leistungsaufnahme. Siehe Kapitel „Leitungsdimensionierung“.

1.4 Leitungsverlegung und elektrischer Anschluss

WindowMaster empfiehlt, den MotorController über eine eigene Sicherung aus mit Spannung zu versorgen.

Bei der Installation DIN- und VDE-Vorschriften beachten. Flexible Leitungen dürfen nicht eingeputzt werden. Abzweigboxen müssen für Wartungsarbeiten zugänglich sein. Vor jeder Wartungsarbeit oder Veränderung der Anlage ist die Netzspannung allpolig abzuklemmen. Alle Niederspannungsleitungen (24V DC) getrennt von den Starkstromleitungen verlegen. Leitungstypen, -längen und -querschnitte gemäß den technischen Angaben ausführen. Die Leitungsspezifikation ist unverbindlich. Die Gesamtverantwortung liegt bei dem Installateur. Die Installation muss in Übereinstimmung mit den nationalen elektrischen Bestimmungen ausgeführt werden. Gegen unbeabsichtigtes Wiedereinschalten ist die Anlage abzusichern.

2 Einführung zum WCC 103

Die WCC 103 ist ein MotorController, der einen oder mehrere $\pm 24V$ -Standard-Fensterantriebe anhand des Signals der angeschlossenen Komponente(n), z. B. Lüftungstaster (Bedienfeld), Raumsensor und Wettersensor, steuert (öffnet/schließt).

Es wird empfohlen, einen Lüftungstaster anzuschließen, wenn Sensoren und andere Bedienelemente angeschlossen sind, damit ein Benutzer jederzeit auch über den Lüftungstaster die Signale steuern und selbst die Fenster öffnen und schließen kann, wenn mehr oder weniger Frischluft gewünscht wird.

2.1 Der Aufbau des MotorControllers

Der MotorController enthält ein 75-W-Hauptnetzteil (SMPS) sowie eine Platine mit Eingang, Ausgang und einer Hilfsstromversorgung (AUX).

Die WCC 103 verfügt über eine Motorlinie, an die $\pm 24V$ -Standardmotoren angeschlossen werden können. Die Anzahl der angeschlossenen Motoren hängt vom Motortyp ab. Die Tabelle unten zeigt die maximale Anzahl der Motoren. Die Gesamtstromaufnahme aller angeschlossenen Motoren darf jedoch 3A nicht überschreiten.

2.2 MotorController-Varianten

Zusammensetzung der Artikelnummer				
WCC 1	03	xx	xx	
			<u>Version</u> 01 = Version 1	
			<u>Variante</u> 01 = Standardvariante mit Schukostecker 04 = UK-Variante mit UK-Netzteil	
			<u>MotorController-Größe</u> 03 = 3A	
MotorController Serie 1				

2.3 Maximale Anzahl Motoren pro MotorController

Die maximale Anzahl der Motoren ist in der Tabelle angegeben. Die Gesamtstromaufnahme aller angeschlossenen Motoren darf 3A nicht überschreiten.

Es dürfen nur $\pm 24V$ -Standardmotoren an den WCC 103 angeschlossen werden.

Motortyp	Maximale Anzahl $\pm 24V$ -Motoren, die an die WCC 103 angeschlossen werden dürfen
WMD 820-1	3
WMD 820-2	2
WMD 820-3	3
WMS 306 / 309-1	3
WMS 306 / 309-2	2
WMS 306 / 309-3	3
WMS 409 xxxx 01	1
WMS 409-1	1
WMU 831 / 836 / 851 / 861-1	3
WMU 831 / 836 / 851 / 861-2	2
WMU 831 / 836 / 851 / 861-3	3
WMU 842 / 852 / 862 / 882-1	2
WMU 863 / 883-1	1
WMX 503 / 504 / 523 / 526-1	6
WMX 503 / 504 / 523 / 526-2	6
WMX 503 / 504 / 523 / 526-3	6
WMX 803 / 804 / 813 / 814 / 823 / 826-1	3
WMX 803 / 804 / 813 / 814 / 823 / 826-2	2
WMX 803 / 804 / 813 / 814 / 823 / 826-3	3
WML 820/825	3
WML 860-1	3
WML 860-2	2
WML 860-3	3
WMB 801/802	3
WMB 811/812 / 815 / 816 / 817 / 818*	2

*Bei 2 Verriegelungsantrieben an derselben Motorlinie verwenden Sie: 1 x WMB 811 und 1 x WMB 812, 1 x WMB 815 und 1 x WMB 816 oder 1 x WMB 817 und 1 x WMB 818

3 Zubehör

Zubehör	
Regensensor	WLA 331
Wind- /Regensensor	WLA 330
Lüftungstaster, Unterputz	WSK 100
Lüftungstaster, 1 Fenster oder 1 Fenstergruppe	WSK 110 0A0B
Lüftungstaster, Modell FUGA, Aufputz (CH-Version)	WSK 300
Lüftungstaster, Modell FUGA, Aufputz	WSK 103
Raumthermostat: Temperatur	WLA 110

4 Technische Daten

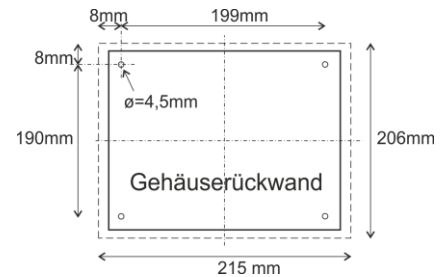
Technische Daten	
Ausgangsstrom (nominell)	3A
Sekundärspannung	Spannung 24 V DC ($\pm 15\%$) Ruhespannung bei 230 V AC ohne Last 27,6 V DC @ 20 °C Restwelligkeit bei voller Last max. 6 % (3,5 Vpp)
AUX	24 V DC, 500 mA
Motorgruppen/Motorlinien	1 Motorgruppe mit 1 Motorlinie für $\pm 24V$ -Standardmotoren
Primärspannung	100-240 V AC 1,52 A 50/60 Hz
Stromverbrauch	Leerlauf <0,5 W Vollast 77 W
Einschaltstrom / Vorsicherung	50 A < 5 ms bei 230 V Max. 6 x WCC 103 pro 10 A-Versorgungsgruppe. Leistungsschutzschalter Charakteristik „C“.
$\pm 24V$ -Änderungszeit	Min. 500 ms
LED-Benachrichtigung	2 grüne und 1 gelbe LED-Leuchten zeigen über Blinksequenzen Fehler und/oder den Status des Systems und der Motorlinie an. Detaillierte Beschreibung und Blinksequenzen finden Sie im Abschnitt „Status und Fehlersuche mittels LED“.
Kabelanschluss	Motoren flexibel max. 6 mm ² / Massiv max. 10 mm ² Andere Komponenten min 0,2 mm ² / max. 1,5 mm ²
Umgebungsbedingungen	-5 °C – +45 °C, zur Innenmontage, der MotorController darf nicht abgedeckt werden
Einschaltdauer	ED 40 % (4 min. pro 10 min.)
Material	Kunststoff
Farbe	Weiß (RAL 9016)
Größe	215 x 206 x 37 mm (B x H x T)
Gewicht	0,92 kg
Schutzart	IP 20
Schutzklasse	I (mit PE)
Lieferungsumfang	Standardversion: MotorController mit 1,2 m-Zuleitung mit Schuko-Stecker UK-Version: MotorController mit 1,2 m-Zuleitung mit Schuko-Stecker und UK-Netzadapter
Vorbehalt	Technische Änderungen vorbehalten

5 Montage

Der MotorController kann horizontal oder vertikal an einer Wand montiert werden.

Der MotorController wird mittels der Befestigungslöcher an der Wand mit $\varnothing 4,5$ mm befestigt.

Der MotorController muss an einem sicheren Ort installiert werden, wo er vor Feuer und Rauch geschützt ist.



6 Installation

6.1 Leitungsverlegung

Die Sicherheitshinweise in dieser Bedienungsanleitung müssen genau befolgt werden. Zur Dimensionierung der Leitungen siehe Kapitel „Leitungsdimensionierung“. Die in der Leitungslängentabelle angegebenen Leitungsquerschnitte dürfen nicht reduziert werden.

Die Leitungen werden über die Aussparungen unten in das Gehäuse des MotorControllers eingeführt.

Beachten Sie bei der Verkabelung die geltenden nationalen Vorschriften.

Der MotorController wird mit 1,2 m-Zuleitung mit Schuko-Stecker geliefert.

6.2 Anschluß von Leitungen im MotorController

Die Leitungen werden gemäß dem Kapitel „WCC 103-Anschlussplan“, den Plankapiteln und anderen relevanten Abschnitten dieses Handbuchs angeschlossen.

Vergewissern Sie sich, dass die Anschlüsse korrekt sind – ein falscher Anschluss kann zu Fehlfunktionen des MotorControllers oder externer Produkte führen.

Die Installation muss jederzeit den geltenden Vorschriften, Normen und Richtlinien entsprechen.

6.3 Anschluss von Schutzerdung und 230 V AC

Der WCC 103 ist ab Werk mit einer Versorgungsleitung mit 230 V-Schuko-Stecker mit Schutzleiter ausgestattet.

6.4 Installation des Lüftungstasters

Der Lüftungstaster sollte sichtbar und gut erreichbar montiert werden.

6.5 Montage

Montage, Installation, Reparatur und Wartung von MotorControllern dürfen nur von Fachleuten durchgeführt werden.

Vorschriften bei der Montage

Bei der Planung der Installation einer Lüftungsanlage und bei der Installation sind folgende Sicherheitsbestimmungen zu beachten:

- Die Landesbauordnung der Bundesländer
- VDE 0100, VDE 0108, VDE 0833 und DIN 4102, Teil 12
- VdS-Richtlinie Form 2098
- Die Vorschriften des örtlichen Energieversorgungsunternehmens.

VORSICHT

Wenn die innere Abdeckung entfernt wird, liegen die unter Spannung stehenden Teile frei.

Richtlinien bei der Montage/Installation

- Installationshinweise bzw. Vorschriften des VDE und des örtlichen EVU's beachten
- Montageort so wählen, dass zu Wartungszwecken eine freie Zugänglichkeit gewährleistet ist
- Leitungsverlegung im Gebäude nach unten aufgeführten Richtlinien ausführen
- Bei der Leitungsverlegung die Ermittlung der Antriebszuleitungslängen berücksichtigen
- Anschluss der Leitungen nach den vom Hersteller beigestellten Plänen ausführen
- Sämtliche Funktionen der Anlage überprüfen

7 Leitungsdimensionierung

Leitungen müssen immer gemäß den geltenden VDE-Vorschriften verlegt werden.

7.1 Max. Leitungslänge

Die maximal zulässigen Leitungslängen vom MotorController zu den Motoren unter Berücksichtigung des Kabelquerschnitts sind in der folgenden Tabelle aufgeführt.

Formel zur Berechnung der maximalen Motorleitungslänge

$$\text{Max. Leitungslänge} = \frac{\text{zulässiger Spannungsfall 2V (UL)} \times \text{Leitfähigkeit des Kupfers (56)} \times \text{Kabelquerschnitt in mm}^2 \text{ (a)}}{\text{Maximaler Motorgesamtstrom pro Motorlinie in Ampere (I)} \times 2}$$

Bei ± 24 V-Standardmotoren darf der Leitungsquerschnitt unabhängig vom Ergebnis der obigen Formel nicht weniger als 0,75 mm² betragen.

Max. Motorleitungslänge: Vom MotorController bis zur letzten Anschlussbuchse gezogen + Zuleitung zu Motoren

Max. zulässiger Spannungsfall an der Leitung: 2 Volt

Gesamtmotorstrom: Die Summe der maximalen Stromaufnahme aller angeschlossenen Motoren pro Motorlinie

NB: Der Schutzleiter (grün-gelbe) in der Motorzuleitung darf nicht als Kommunikations- oder Überwachungsader verwendet werden

Beispiel:

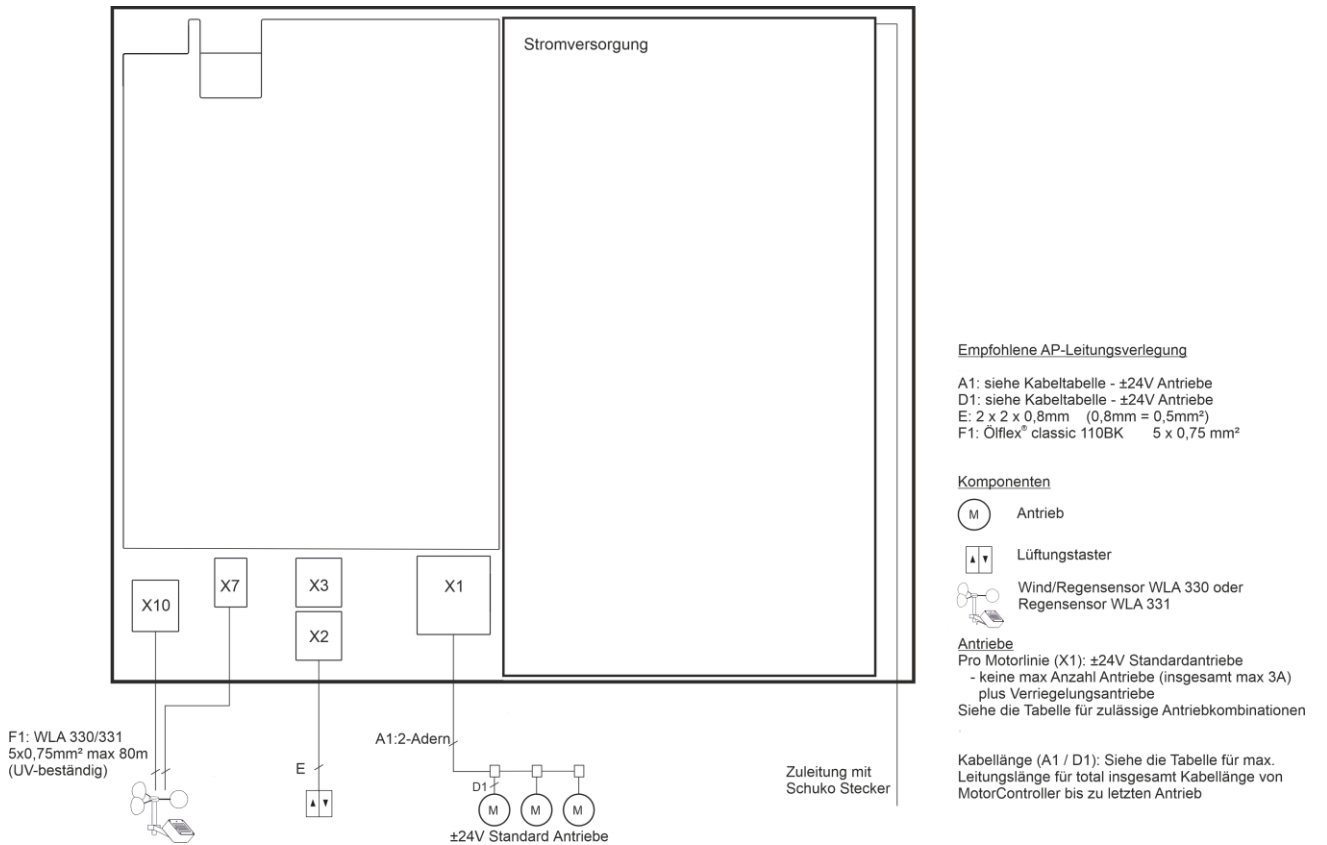
Max. Motorleitungslänge bei einem Leitungsquerschnitt von 0,75mm² und 2 A Stromaufnahme: $(2 \times 56 \times 0,75) : (2 \times 2) = \underline{21m}$

7.1.1 Max. Leitungslänge – ± 24V Standardmotoren

Die Motorleitung muss mindestens zweiadrig sein.

±24 V Standard-Motoren						
Den Schutzleiter (grün-gelb) <u>nicht</u> verwenden						
Leitungsquerschnitt [a]	3-adrig 0,75 mm ²	3-adrig 1,50 mm ²	5-adrig 1,50 mm ² 2-adrig parallel	3-adrig 2,50 mm ²	5-adrig 2,50 mm ² 2-adrig parallel	3-adrig 4,00 mm ²
Gesamtmotorstrom [I]						
1A	42 m	84 m	168 m	140 m	280 m	224 m
2A	21 m	42 m	84 m	70 m	140 m	112 m
3A	14 m	28 m	56 m	47 m	93 m	75 m

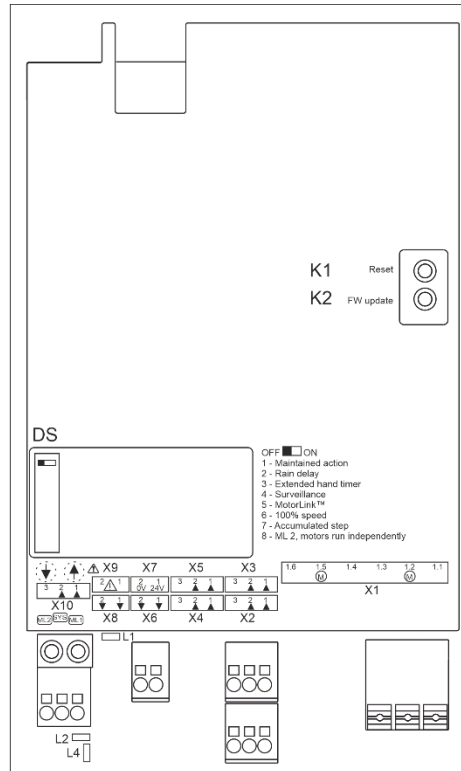
8 WCC 103-Anschlussplan



Der obige Anschlussplan zeigt einen WCC 103 MotorController

9 Anschlussbeschreibung

Am WCC 103 können $\pm 24\text{-V}$ -Standardmotoren, Lüftungstaster, Thermostate und dergleichen sowie Wind-/Regensensoren angeschlossen werden.



X1	1.1 24V / 0V 1.2 1.3 0V / 24V	} Motorlinie #1	X8	8.1 Ausgang #2 } Status (Öffnen) 8.2 Ausgang #2 } (nur mit der 106BT-Version erhältlich)
	1.4 24V / 0V 1.5 1.6 0V / 24V	} Motorlinie #2 (nur mit der 106BT-Version erhältlich)	X9	9.1 Fehler } Ausgang 9.2 Fehler } (nur mit der 106BT-Version erhältlich)
X2	2.1 Öffnen 2.2 Schliessen 2.3 GND / 0V	} Lüftungstaster #1	X10	10.1 24V } 10.2 Regen } Wetterstation 10.3 GND / 0V }
X3	3.1 Öffnen 3.2 Schliessen 3.3 GND / 0V	} Automatische Regelung #1	DS	DIP-Switch 1
X4	4.1 Öffnen 4.2 Schliessen 4.3 GND / 0V	} Lüftungstaster #2 (nur mit der 106BT-Version erhältlich)	↓ ↑	Schliessen und öffnen alle Fenster
X5	5.1 Öffnen 5.2 Schliessen 5.3 GND / 0V	} Automatische Regelung #2 (nur mit der 106BT-Version erhältlich)	K1	Reset
X6	6.1 Ausgang #1 } Status (Öffnen) 6.2 Ausgang #1 } (nur mit der 106BT-Version erhältlich)		K2	Firmware Update
X7	7.1 24V } AUX, Stromversorgung für externe Sensor 7.2 0V }		L1	LED 1 - Sum-Fehler
			L2	LED 2 - System Status
			L4	LED 4 - Motorlinie #1 Status

X1

Die WCC 103 enthält eine Motorlinie, an die nur $\pm 24\text{V}$ -Standardmotoren angeschlossen werden dürfen.

Daten

1.1 24 V / 0 V

1.2

1.3 0 V / 24 V

Die Anzahl der in der Motorlinie zugelassenen Motoren hängt vom Motortyp ab. Die Gesamtstromaufnahme der Motorlinie darf 3A nicht überschreiten. Neben den Motoren können auch Verriegelungsantriebe vom Typ WMB 8xx angeschlossen werden. Die Stromaufnahme der Verriegelungsantriebe wird in die 3A nicht mit eingerechnet, da Motoren und Verriegelungsantriebe nicht gleichzeitig laufen.

Alle Motoren derselben Motorlinie laufen gleichzeitig / werden gleichzeitig betrieben.
Alle Motoren in einer Motorlinie müssen vom gleichen Typ sein.

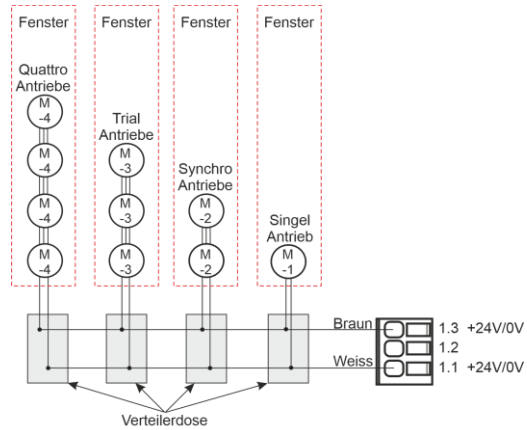
Leitungsquerschnitt: flexibel bis 6 mm², massive Ader bis 10 mm².
Für die Leitungslänge siehe Kapitel „Leitungsdimensionierung“.

Standard ±24V-Motoren

Beispiel mit max. 3A
Stromaufnahme

- a) 3 Stk. WMX 826-1
- b) 2 Sätze à 3 Stk. WMX 504-3
- c) 1 Stk. WMU 883-1
- d) 2 Stk. WMU 861-2

Anschluss von Varianten an Standardmotoren an der Motorlinie 1



X2

Eingang zum Anschluss des Lüftungstasters

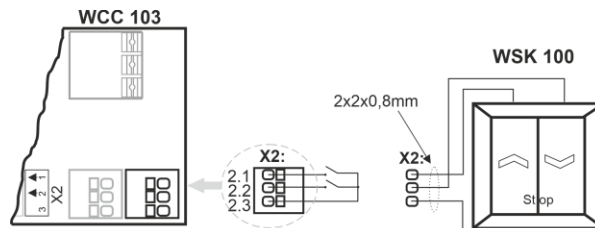
Daten:

- 2.1 Öffnen
- 2.2 Schließen
- 2.3 GND / 0 V

Bei den werkseitig eingestellten Werten ist der Eingang:
„Aktiv“, wenn der Übergangswiderstand weniger als 5 kΩ beträgt
„Inaktiv“, wenn der Übergangswiderstand größer als 8 kΩ ist.

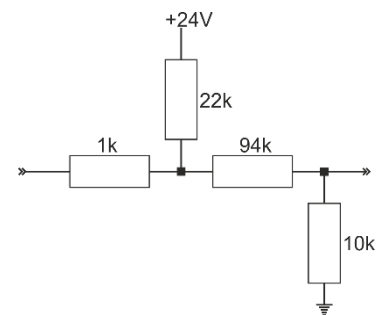
Der Eingang hat einen Pullup-Strom von ca. 1 mA. (min. 0,9 mA, max. 1,1 mA), wenn der Eingang kurzgeschlossen ist.

Beispiel: Lüftungstaster an Eingang X2 angeschlossen



Lang drücken (> 500ms): Motor ein-/ausschalten, Motor läuft bis zum Anschlag
Kurz drücken: Motor stoppt

Eingangsschaltung
(vereinfacht)



X3

Eingang für automatische Steuerung.

Daten:

- 3.1 Öffnen
- 3.2 Schließen
- 3.3 GND / 0 V

X3 ist potentialfrei.

X3 hat eine niedrigere Priorität als X2.

X3 ist 30 Minuten lang gesperrt, nachdem X2 einen Befehl erhalten hat.

X7

AUX, Versorgung für z.B. Wetterstation. Siehe „X10“ für die Beschreibung des Anschlusses eines Regen-/Windsensors.

Daten:

- 7.1 24 V
- 7.2 0 V

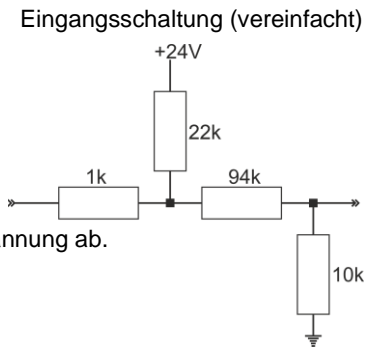
Maximal 500 mA

X10

Anschluss eines Wind-/Regensensors Typ WLA 330 oder WLA 331.
Der Wind-/Regensensor muss sowohl an X10 als auch an X7 angeschlossen werden.

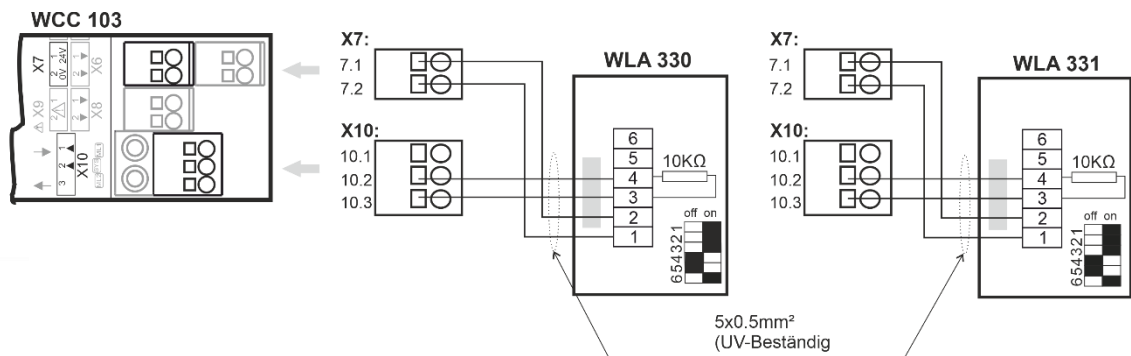
- Daten:
10.1 24 V
10.2 Regen
10.3 GND / 0 V

Bei den werkseitig eingestellten Werten ist der Eingang:
„Aktiv“, wenn der Übergangswiderstand weniger als 5 kΩ beträgt
„Inaktiv“, wenn der Übergangswiderstand größer als 8 kΩ ist.
Bei Werten zwischen 4 und 8 kΩ hängt das Ergebnis von der Versorgungsspannung ab.
Der Eingang hat einen Pullup-Wert von ca. 1 mA (min. 0,9 mA, max. 1,1 mA)



Anschluss von Wind-/Regen- und Regensensor

WLA 330 und WLA 331– Die Einstellungen der Sensoren werden am Sensor vorgenommen.



DIP-Schalter 1–3 am WLA 330 müssen auf die gewünschten Windgeschwindigkeiten eingestellt werden.
Informationen zu den Einstellungen der DIP-Schalter finden Sie im Handbuch des WLA 330.

DS

DIP-Schalter zur Konfiguration der Selbsthaltung bei angeschlossenem Lüftungstaster am X2.

ON = Selbsthaltung aktiviert
OFF = Selbsthaltung deaktiviert

Werkseinstellung = OFF

↓ ↑

Alle Fenster schließen/öffnen

K1

Reset - Zurücksetzen

K2

FW update - Wird im Zusammenhang mit Firmware-Updates verwendet

LED 1

Gelbe LED zur Anzeige eines Fehlers am MotorController.
Wenn die LED nicht leuchtet, liegt kein Fehler vor.
Weitere Informationen finden Sie im Kapitel „Status und Fehlersuche mittels LED“.

LED 2

Grüne LED, die den Status des MotorControllers anzeigt.
Wenn die LED konstant leuchtet, liegt kein Fehler vor.
Weitere Informationen finden Sie im Kapitel „Status und Fehlersuche mittels LED“.

LED 4

Grüne LED, die den Status der Motorlinie anzeigt.
Wenn die Diode 2,4 Sekunden lang leuchtet und 0,8 Sekunden lang nicht leuchtet (unbegrenzt wiederholt), liegt kein Fehler in der Motorlinie vor.
Weitere Informationen finden Sie im Kapitel „Status und Fehlersuche mittels LED“.

10 Status und Fehlersuche mittels LED

Bei einer Fehlfunktion des MotorControllers leuchten und/oder blinken eine oder mehrere LED-Leuchten. Am WCC 103 befinden sich 3 Dioden – 2 grüne und 1 gelbfarbene –, die Fehler am MotorController anzeigen können.

Unabhängig davon, welche Diode leuchtet und/oder blinkt, basiert der Hinweis auf einer 3,2 Sekunden langen Sequenz, die sich endlos wiederholt. Jede Sequenz ist durch Zeitsegmente von 32 x 0,1 Sek definiert.

Liegen mehrere Fehler gleichzeitig am MotorController vor, werden diese priorisiert angezeigt, d.h. die Fehlermeldung für den kritischsten Fehler wird zuerst angezeigt und wiederholt, bis der Fehler behoben ist. Dann wird die zweite Fehlermeldung angezeigt, die sich ebenfalls wiederholt, bis der Fehler behoben wurde usw. Die folgenden Listen zeigen die häufigsten Fehler, falls andere Fehler angezeigt werden, wenden Sie sich bitte an WindowMaster.

Gelbe Diode – LED 1

Wenn die gelbe LED leuchtet, besteht ein Fehler am MotorController.
Schwarz = Diode aus



Die Fehleranzeige an der gelben Diode ist eine Gesamtfehleranzeige. Detaillierte Informationen zum Fehlertyp werden mit den grünen Dioden angezeigt.

Grüne Diode – LED 2

Wenn die grüne LED 2 (am nächsten zu X10) blinkt, liegt ein Fehler am MotorController vor.
Schwarz = Diode aus



Grüne Diode – LED 4

Die grüne Diode 4, (die am weitesten von X10 entfernt ist), zeigt den Status oder Fehler der Motorlinie an.
Schwarz = Diode aus



11 Inbetriebnahme und Testlauf

Bei Fehlermeldungen siehe Kapitel „Status und Fehlersuche mittels LED“.

11.1 MotorController komplett installiert, ohne Betriebsspannung

- d. Stellen Sie sicher, dass alle mechanischen und elektrischen Komponenten unbeschädigt sind.
- e. Prüfen Sie, ob alle Schraub- und Steckverbindungen fest angezogen und/oder fest verbunden sind.
- f. Überprüfen Sie, ob alle externen Komponenten installiert sind. Polarität für ± 24V-Motoren prüfen

11.2 Mit Netzspannung

VDE-Vorschriften beachten! Netzleitungen ankleben und einschalten.

11.3 Lüftungstaster

Schauen Sie sich die Motoren beim Öffnen und Schließen genau an – sie dürfen an keiner Stelle blockiert sein und die Motorverbindungsleitungen dürfen nicht belastet oder eingeklemmt werden. Testen Sie jeden einzelnen Lüftungstaster.

11.4 Wind-/Regenmelder

- d. Öffnen Sie die Motoren mithilfe der Lüftungstaster.
- e. Befeuchten Sie den Regensensor, die Motoren schliessen.
- f. Drücken Sie bei laufendem Motor die Taste ÖFFNEN auf dem Lüftungstaster. Die Motoren dürfen weder öffnen noch anhalten.

Wenn die Inbetriebnahme erfolgreich verlaufen ist, schliessen Sie den MotorController-Deckel.

Wenn die Inbetriebnahme nicht korrekt abgelaufen ist, d.h. bei einem der Testpunkte ein Fehler aufgetreten ist, siehe Kapitel „Anschlussbeschreibung“

Prüfen Sie ggf. die Verdrahtung gemäß Kapitel „WCC 103-Anschlussplan“.

12 Wartung

Inspektion und Wartung dürfen nur vom Lieferanten der Anlage oder von autorisiertem Personal durchgeführt werden.

Reinigen Sie den MotorController und kontrollieren Sie den festen Sitz der Klemmschrauben und Anschlussklemmen. Testen Sie das gesamte System mithilfe eines Testlaufs (siehe Kapitel „Inbetriebnahme und Testlauf“)

Defekte Geräte dürfen nur in unserem Werk repariert werden und es dürfen nur Originalersatzteile verwendet werden.

Die erwartete Mindestlebensdauer des MotorControllers beträgt 10 Jahre.

12.1 Servicevereinbarung

WindowMaster bietet eine Servicevereinbarung für die Wartung des Lüftungssystems an. Weitere Informationen erhalten Sie von unserer Serviceabteilung: **Tel. +49 870 409 489** oder service.de@windowmaster.com

13 Komponentendeklaration

Der MotorController ist nach den europäischen Richtlinien gefertigt und geprüft.

Die CE-Erklärung ist als separates Dokument dem MotorController beigelegt.

WCC 103

Installation instruction

MotorController

(Version 2005)

ENGLISH 1

DEUTSCH 13

DANSK 25



Gem denne installationsvejledning til slutbrugeren

DK +45 45 670 300 info.dk@windowmaster.com
NO +47 33 997 100 info.no@windowmaster.com
Others +45 45 670 300 info.dk@windowmaster.com

www.windowmaster.com

1	Sikkerhedsforskrifter	27
1.1	Sikkerhed	27
1.2	230V AC.....	27
1.3	Anvendelsesområde.....	27
1.4	Kabeltræk og elektrisk tilslutning	27
2	Introduktion til WCC 103.....	27
2.1	MotorControllerens opbygning	27
2.2	MotorControllervarianter.....	27
2.3	Maks antal motorer per MotorController	28
3	Tilbehør.....	28
4	Tekniske data	29
5	Montage	29
6	Installation	29
6.1	Kabelføring.....	29
6.2	Tilslutning af kabler i MotorControlleren	30
6.3	Tilslutning af sikkerhedsjord og 230V AC.....	30
6.4	Installation af komforttryk	30
6.5	Montering	30
7	Kabeldimensionering.....	30
7.1	Maks. kablelængde	30
7.1.1	Formel til beregning af maks. motorkabellængde.....	30
7.1.2	Maks. kabellængde – ±24V standard motorer	31
8	Tilslutningsplan for WCC 103	31
9	Tilslutningsbeskrivelse	32
10	Status og fejlfinding via LED.....	35
11	Idriftsættelse og prøvekørsel	35
11.1	MotorController fuldt installeret, uden driftsspænding	35
11.2	Med netspænding.....	35
11.3	Komforttryk.....	35
11.4	Vind-/regnmelder.....	36
12	Vedligehold.....	36
12.1	Serviceaftale	36
13	Komponenterklæring.....	36

1 Sikkerhedsforskrifter

1.1 Sikkerhed

Indbygning, installation, reparation og vedligeholdelse må kun udføres af fagfolk.

For at sikre pålidelig drift og undgå skader og ulykker, skal montage og installation udføres i henhold til denne vejledning.

1. Der kan opstå personfare ved elektrisk styrede vinduer: de kræfter, der optræder ved automatisk betjening af vinduer, kan være så kraftige, at legemsdele kan blive klemt
2. vinduesmotorer (spindler) kan rage ind i rummet. Derfor skal der - inden idriftsættelsen af vinduesmotorerne - træffes foranstaltninger, der udelukker risikoen for, at personer kan komme til skade.

Hvis vinduer kan blive udsat for regn eller høj vindhastighed, anbefaler vi, at der forbindes en regn og/eller vindsensor til MotorControlleren, således at vinduerne ved komfortventilation automatisk lukkes ved regn eller høj vindhastighed.

MotorControlleren skal monteres et sikkert sted, således den er beskyttet mod påvirkning fra brand og røg.

MotorControlleren skal monteres påbygget.

MotorControlleren skal forsynes med 230V AC.

Producenten er ikke ansvarlig for eventuelle skader, der skyldes uegnet anvendelse.

1.2 230V AC

230V AC kan forårsage død, svære legemsbeskadigelser eller betydelige skader på ting.

MotorControlleren skal frakobles forsyningsspændingen før den åbnes, monteres eller opbygningen ændres.

Forsyningsspændingen til MotorControlleren skal foregå via eksternt to eller flerpolet gruppeafbryder. MotorControlleren forsynes med Fase, Nulledning og Jordledning

Gældende nationale forskrifter skal overholdes.

1.3 Anvendelsesområde

MotorControlleren er udelukkende beregnet til automatisk åbning og lukning af vinduer, lemme og døre.

Kontrollér altid om anlægget er i overensstemmelse med de gældende nationale forskrifter.

Ledningstværsnit er afhængigt af ledningslængde og strømforbrug. Se kapitlet "Kabeldimensionering".

1.4 Kabeltræk og elektrisk tilslutning

WindowMaster anbefaler at MotorControlleren forsynes fra egen gruppe.

Ved installationen skal Stærkstrømsbekendtgørelsen, Dansk ingeniørforenings norm for svagstrømsinstallationer DS 460 samt DBI retningslinje 027 overholdes. Fordelerdåser skal være tilgængelige for vedligeholdelsesarbejde. Anlægget skal sikres mod uforståelig tilslutning af strømmen. Alle lavspændingsledninger (24V DC) trækkes adskilt fra stærkstrømsledningerne.

Kabeltyper, -længder og -tværsnit skal være i henhold til de tekniske angivelser. Kabelspecifikationen er vejledende. Det overordnede ansvar ligger hos installatøren. Installation skal ske iht. gældende nationale forskrifter.

2 Introduktion til WCC 103

WCC 103 er en MotorController der styrer (åbner/lukker) 1 eller flere $\pm 24V$ standard vinduesmotorer på baggrund af signal fra den/de tilsluttede komponenter f.eks. komforttryk (betjeningstryk), rumsensor samt vejrsensor.

Det anbefales altid at tilslutte komforttryk, når der er tilsluttet sensorer og andre styringer, således en bruger til enhver tid selv via komforttrykkene kan overstyre signaler og selv åbne og lukke vinduerne, såfremt der ønskes mere eller mindre frisk luft.

2.1 MotorControllerens opbygning

MotorControlleren indeholder en 75W hovedstrømforsyningsenhed (SMPS) samt et printkort med input, output og en hjælpeforsyning (AUX).

WCC 103 har 1 motorlinje hvortil der kan tilsluttes $\pm 24V$ standardmotorer, antallet af tilsluttede motorer afhænger af motortypen, nedenstående tabel for maks antal motorer. Det totale strømforbrug for alle tilsluttede motorer må dog ikke overstige 3A.

2.2 MotorControllervarianter

Varenummersammensætning			
WCC 1	03	xx	xx
			Version 01 = version 1
			Variant 01 = Standard variant med schuko stik 04 = UK variant med UK netadaptor
			MotorController størrelse 03 = 3A
MotorController serie 1			

2.3 Maks antal motorer per MotorController

I tabellen vises det maksimale antal motorer. Det totale strømforbrug for alle tilsluttede motorer må ikke overstige 3A. Der må kun tilsluttes $\pm 24V$ standard motorer til WCC 103.

Motor type	Max antal $\pm 24V$ motor der må tilsluttes WCC 103
WMD 820-1	3
WMD 820-2	2
WMD 820-3	3
WMS 306 / 309-1	3
WMS 306 / 309-2	2
WMS 306 / 309-3	3
WMS 409 xxxx 01	1
WMS 409-1	1
WMU 831 / 836 / 851 / 861-1	3
WMU 831 / 836 / 851 / 861-2	2
WMU 831 / 836 / 851 / 861-3	3
WMU 842 / 852 / 862 / 882-1	2
WMU 863 / 883-1	1
WMX 503 / 504 / 523 / 526-1	6
WMX 503 / 504 / 523 / 526-2	6
WMX 503 / 504 / 523 / 526-3	6
WMX 803 / 804 / 813 / 814 / 823 / 826-1	3
WMX 803 / 804 / 813 / 814 / 823 / 826-2	2
WMX 803 / 804 / 813 / 814 / 823 / 826-3	3
WML 820 / 825	3
WML 860-1	3
WML 860-2	2
WML 860-3	3
WMB 801/802	3
WMB 811/812 / 815 / 816 / 817 / 818*	2
*ved 2 låsemotorer på samme motorlinje benyt: 1 x WMB 811 og 1 x WMB 812, 1 x WMB 815 og 1 x WMB 816 eller 1 x WMB 817 og 1 x WMB 818	

3 Tilbehør

Tilbehør	
Regnsensor	WLA 331
Regn-/vindhastighedssensor	WLA 330
Komforttryk, 1 vindue eller 1 vinduesgruppe	WSK 110 0A0B
Komforttryk model FUGA, til påbygning (CH version)	WSK 300
Komforttryk model FUGA, til påbygning	WSK 103
Rumtermostat: temperatur	WLA 110

4 Tekniske data

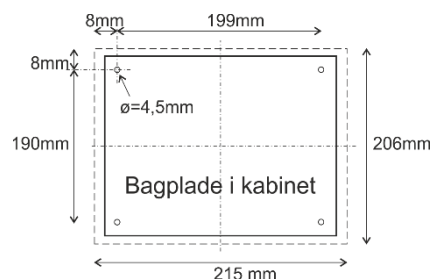
Tekniske data	
Udgangsstrøm (nominel)	3A
Motorudgangsspænding (sekundær spænding)	Spænding 24V DC ($\pm 15\%$) Hvilespænding ved 230V AC uden last 27,6V DC @ 20°C Ripple ved fuld last maks. 6% (3,5Vpp)
AUX	24V DC, 500mA
Motorgrupper / Motorlinier	1 motorgruppe med 1 motorlinjer til $\pm 24V$ standard motorer
Primærspænding	100-240 VAC 1,52A 50/60Hz
Effektforbrug	Tomgang < 0,5W Fuld last 77 W
Indkoblingsstrøm	50A < 5 ms v. 230V Maks. 6 x WCC 103 per 10A forsyningsgruppe. Automatsikring "C" karakteristik.
$\pm 24V$ skifte tid	Min. 500ms
LED-melding	2 grønne og 1 gul LED angiver via blinkesekvenser fejl og/eller status for systemet og motorlinjen. Se punkt "Status og fejlfinding via LED" for detaljeret beskrivelse og blinkesekvenser.
Tilslutningsledning	Motorer bøjeligt maks. 6 mm ² / massivt maks. 10 mm ² Øvrige komponenter min 0,2mm ² / maks. 1,5mm ²
Driftbetingelser	-5°C - +45°C, til indendørs montage, MotorControlleren må ikke tildækkes
Drifttrid (duty cycle)	ED 40% (4min. per 10min.)
Materiale	Plast
Farve	Hvid (RAL 9016)
Strørrelse	215 x 206 x 37mm (B x H x D)
Vægt	0,92kg
Kapslingsklasse	IP 20
Sikkerhedsklasse	I (med PE)
Levering	Standard version: MotorController med 1,2m tilledning med schuko stik UK version: MotorController med 1,2m tilledning med schuko stik og UK netadaptor
Forbehold	Der tages forbehold for tekniske ændringer

5 Montage

MotorControlleren kan enten monteres vandret eller lodret på en væg.

MotorControlleren fastgøres gennem bagpladens $\varnothing 4,5\text{mm}$ montagehuller.

MotorControlleren skal monteres et sikkert sted, således den er beskyttet mod påvirkning fra brand og røg.



6 Installation

6.1 Kabelføring

Sikkerhedsforskrifterne i denne betjeningsvejledning skal følges nøje. Vedrørende svagstrømskabeldimensionering henvises til kapitel "Kabeldimensionering". De i kabellængdetabellen angivne kabeltværsnit må ikke gøres mindre.

Kablerne føres ind i MotorControllerens kabinet via udskæringerne i bunden.

Ved kabelføring skal de gældende nationale forskrifter følges.

MotorControlleren leveres med 1,2m ledning med schukostik.

6.2 Tilslutning af kabler i MotorControlleren

Kabler tilsluttes i henhold til kapitel "Tilslutningsplan for WCC 103", kortkapitlerne samt øvrige relevante afsnit i denne vejledning. Vær opmærksom på, at tilslutningerne foretages korrekt - forkert tilslutning kan føre til fejlfunktioner i MotorControlleren eller de eksterne produkter.

Installationen skal til enhver tid overholde de gældende forskrifter, normer og retningslinier.

6.3 Tilslutning af sikkerhedsjord og 230V AC

WCC 103 er fra fabrikken udstyret med forsyningskable med 230V Schuko stik med jord.

6.4 Installation af komforttryk

Komforttryk monteres synligt og inden for rækkevidde.

6.5 Montering

Montering, installation, reparation og vedligeholdelse af MotorControllere må kun udføres af fagfolk.

Forskrifter ved montering

I forbindelse med planlægning af installationen af et ventilationsanlæg samt ved montering skal følgende sikkerhedsforskrifter følges:

- Stærkstrømsbekendtgørelsen

Forebyggelse af ulykker

Dansk Ingeniørforenings foreskrifter for svagstrømsinstallationer skal følges.

BEMÆRK

Hvis indvendig afdækning fjernes, ligger de strømførende dele frit.

Retningslinier ved montering / installation

- Dansk Ingeniørforenings retningslinier for svagstrømsinstallationer, DS 460 skal følges
- MotorControlleren monteres på væggen, således at der er fri adgang ifbm. serviceeftersyn
- Kabler vælges i henhold til retningslinierne i denne vejledning
- Kabeltilslutning udføres i henhold til denne vejledning
- Kontrol af anlæggets funktioner

7 Kabeldimensionering

Kabler skal trækkes i henhold til de til enhver tid gældende forskrifter.

7.1 Maks. kablelængde

Maksimalt tilladte kabellængder fra MotorControlleren til motorerne under hensyntagen til kabeltværsnittet er vist i nedenstående tabeller.

7.1.1 Formel til beregning af maks. motorkabellængde

Maks. kabellængde = $\frac{\text{tilladte spændingsfald } 2V \text{ (UL)} \times \text{kobbers ledeevne (56)} \times \text{kabeltværsnit i mm}^2 \text{ (a)}}{\text{Maks. samlet motorstrøm per motorlinie i ampere (I)} \times 2}$

For $\pm 24V$ standard motorer, må kabeltværsnittet ikke være mindre end $0,75\text{mm}^2$, uanset resultatet af ovenstående formel.

Maks. motorkabellængde: Trukket fra MotorControlleren til den sidste tilslutningsdåse + tilledning til motorer

Maks. tilladt spændingsfald på kablet: 2 Volt

Samlet motorstrøm: Summen af alle de tilsluttede motorers maks. strømforbrug pr. motorlinie

OBS: PE-leder/den grøngule jordledning i motorkablet må ikke anvendes som kommunikation- eller overvågningsledning

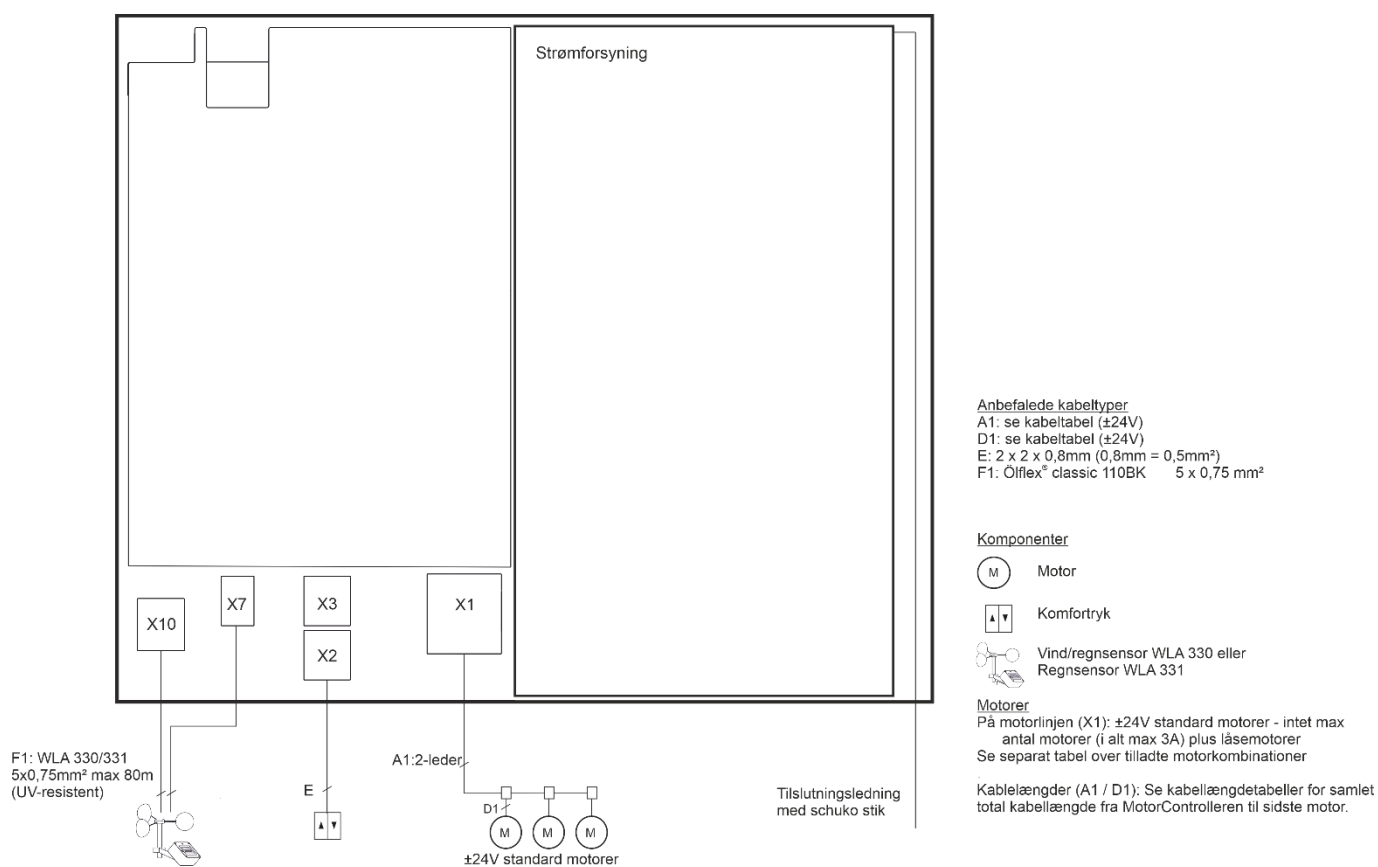
Eksempel: Maks. motorkabellængde ved kabeltværsnit på $0,75\text{mm}^2$ og 2A strømforbrug: $(2 \times 56 \times 0,75) : (2 \times 2) = \underline{21\text{m}}$

7.1.2 Maks. kabellængde – ±24V standard motorer

Motor-kablet skal minimum have 2 ledere.

±24V standard motorer						
PE-leder/den grønne jordledning må <u>ikke</u> anvendes						
Kabel-tværsnit [a]	3-leder 0,75mm ²	3-leder 1,50 mm ²	5-leder 1,50 mm ² 2-ledere parallel	3-leder 2,50 mm ²	5-leder 2,50 mm ² 2-ledere parallel	3-leder 4,00 mm ²
Samlet motorstrøm [I]						
1A	42m	84m	168m	140m	280m	224m
2A	21m	42m	84m	70m	140m	112m
3A	14m	28m	56m	47m	93m	75m

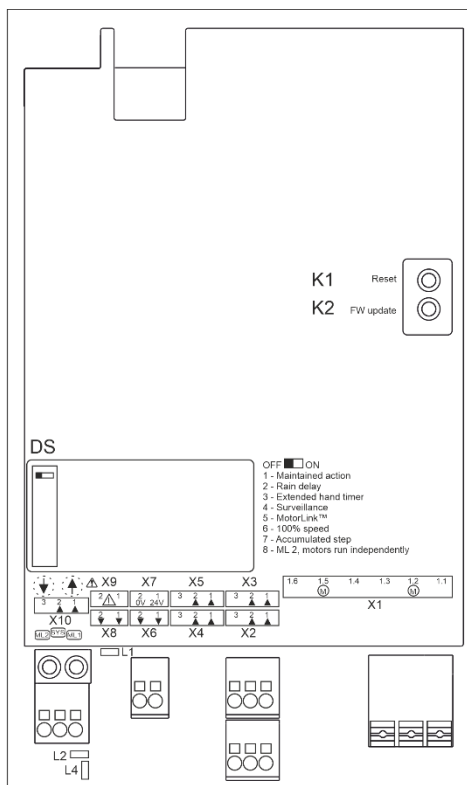
8 Tilslutningsplan for WCC 103



Ovenstående tilslutningsplan viser en WCC 103 MotorController

9 Tilslutningsbeskrivelse

På WCC 103 kan der tilsluttes $\pm 24V$ standardmotorer, komforttryk, termostat o.lign samt regn-/vindsensor.



X1	1.1 24V / 0V 1.2 1.3 0V / 24V	} Motorlinje #1	X8	8.1 Output #2 8.2 Output #2	} Status (åben) (kun tilgængelig på 106BT versionen)
	1.4 24V / 0V 1.5 1.6 0V / 24V	} Motorlinje #2 (kun tilgængelig på 106BT versionen)	X9	9.1 fejl 9.2 fejl	} Output (kun tilgængelig på 106BT versionen)
X2	2.1 Åbn 2.2 Luk 2.3 GND / 0V	} Komforttryk #1	X10	10.1 24V 10.2 Regn 10.3 GND / 0V	} Vejrstation
X3	3.1 Åbn 3.2 Luk 3.3 GND / 0V	} Automatisk kontrol #1	DS	DIP switch 1	
X4	4.1 Åbn 4.2 Luk 4.3 GND / 0V	} Komforttryk #2 (kun tilgængelig på 106BT versionen)	↓ ↑	Luk og åben alle vinduer	
X5	5.1 Åbn 5.2 Luk 5.3 GND / 0V	} Automatisk kontrol #2 (kun tilgængelig på 106BT versionen)	K1	Reset	
X6	6.1 Output #1 6.2 Output #1	} Status (åben) (kun tilgængelig på 106BT versionen)	K2	Firmware opdatering	
X7	7.1 24V 7.2 0V	} AUX, forsyning til ekstern sensor	L1	LED 1 - Sum fejl	
			L2	LED 2 - System status	
			L4	LED 4 - Motorlinje #1 status	

X1

WCC 103 indeholder én motorlinje hvortil der kun kan tilsluttes $\pm 24V$ standardmotorer.

Data

1.1 24V / 0V
1.2
1.3 0V / 24V

Antallet af tilladte motorer på motorlinjen afhænger af motortypen. Det totale strømforbrug forbundet til motorlinjen må ikke overstige 3A. Foruden motorerne kan der også tilsluttes låsemotorer type WMB 8xx. Låsemotorenes strømforbrug medregnes ikke i de 3A, da motorer og låsemotorer ikke kører samtidigt.

Alle motorer på samme motorlinie kører/bliver betjent samtidigt.
Alle motorer på en motorline skal være af samme type.

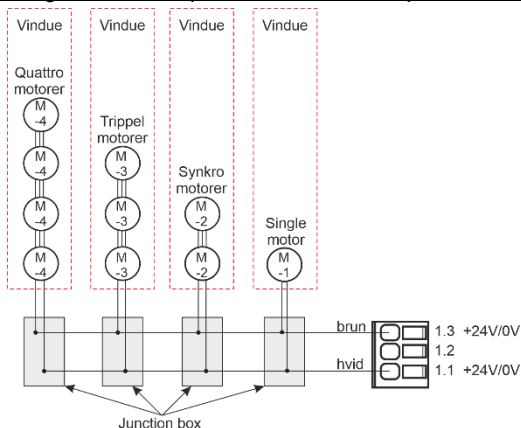
Ledningsdiameter: bøjeligt maks. 6mm², massivt kabel maks. 10mm².
For ledningslængde se kapitlet "Kabeldimensionering".

Standard ±24V motorer

Eksempel med maks. 3A strømforsbrug

- a) 3 stk. WMX 826-1
- b) 2 sæt af 3 stk. WMX 504-3
- c) 1 stk. WMU 883-1
- d) 2 stk. WMU 861-2

Tilslutning af varianter på standardmotorer på motorlinjen 1



X2

Input til tilslutning af komfortryk

Data:

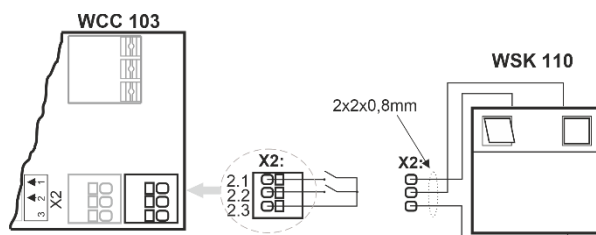
- 2.1 Åbn
- 2.2 Luk
- 2.3 GND / 0V

Med de fabriksindstillede værdier er input:

"Aktiv" hvis kontaktmodstanden er mindre end 5kΩ
"Inaktiv" hvis kontaktmodstanden er større end 8kΩ.

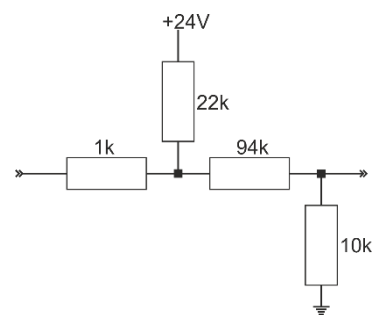
Input har pull up strøm på ca. 1mA. (min. 0,9mA, maks. 1,1mA)
hvis input kortsluttes.

Eksempel: Komforttryk tilsluttet til input X2



Langt tryk (>500ms): åbn/luk motor, motor kører til endestop
Kort tryk: motor stopper kørsel

Input kredsløb (simplificeret)



X3

Input til automatisk kontrol.

Data:

- 3.1 Åbn
- 3.2 Luk
- 3.3 GND / 0V

X3 er potentialfri.

X3 har lavere prioritet end X2.

X3 er blokeret i en 30 minutters periode efter at X2 har modtaget en kommando.

X7

AUX, forsyning til f.eks. vejstation. Se "X10" for beskrivelse af tilslutning af regn- / vindsensor.

Data:

- 7.1 24V
- 7.2 0V

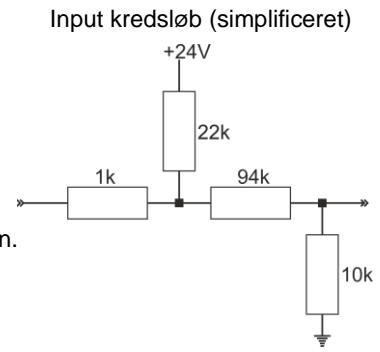
Maximal 500 mA

X10 Tilslutning af vind- / regnsensor af typen WLA 330 eller WLA 331.
Vind / regnsensor skal tilsluttes både på X10 og X7.

Data:

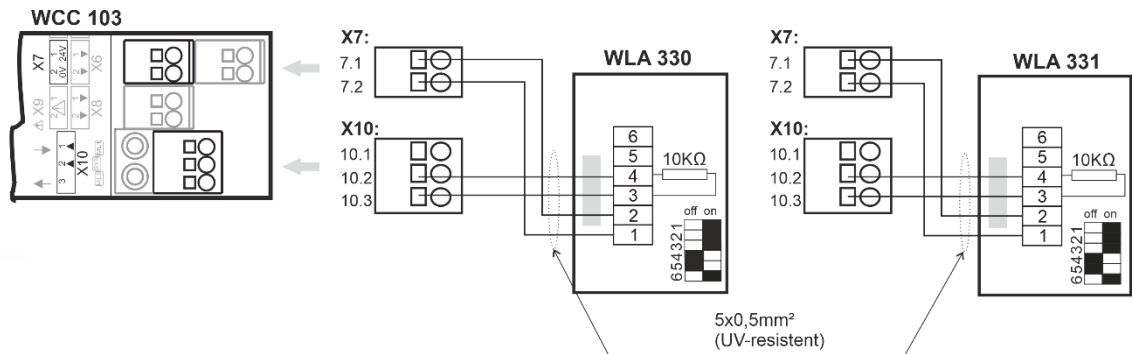
- 10.1 24V
- 10.2 Regn
- 10.3 GND / 0V

Med de fabriksindstillede værdier er input:
"Aktiv" hvis kontaktmodstanden er mindre end 5kΩ
"Inaktiv" hvis kontaktmodstanden er større end 8kΩ.
Ved værdier mellem 4 og 8kΩ vil resultatet afhænge af forsyningsspændingen.
Input har pull up ca. 1mA. (min. 0,9mA, maks. 1,1mA)



Tilslutning af Vind/regn og regnsensor

WLA 330 og WLA 331 – sensorernes indstillinger sættes på sensoren.



DIP-switch 1-3 på WLA 330 skal indstilles mht. Vindhastighedstolerancer. Se vejledningen for WLA 330 for DIP-switchindstillinger.

DS DIP switch for konfigurerings af selvhold på tilsluttede komforttryk på X2.

ON = selvhold aktiveret
OFF = selvhold deaktiveret

Fabriksindstilling = OFF

↓ ↑ Luk / Åbn alle vinduer

K1 Reset

K2 FW upate - anvendes ifm. firmware opdatering

LED 1 Gul LED der viser om der er fejl på MotorControlleren.
Hvis dioden er slukket er der ingen fejl.
Se kapitel "Status og fejlfinding via LED" for mere information.

LED 2 Grøn LED der viser status på MotorControlleren.
Hvis dioden lyser konstant er der ingen fejl.
Se kapitel "Status og fejlfinding via LED" for mere information.

LED 4 Grøn LED der viser status på motorlinjen.
Hvis dioden lyser i 2,4sek er slukket i 0,8 sek (gentages uendeligt), er der ingen fejl på motorlinjen.
Se kapitel "Status og fejlfinding via LED" for mere information.

10 Status og fejlfinding via LED

I tilfælde af fejl på MotorControlleren vil en eller flere diode lyse og/eller blinke.
På WCC 103 er der 3 dioder – 2 grønne og 1 gul – der kan indikere fejl på MotorControlleren.

Uanset hvilken diode der lyser og eller blinker, er indikationen baseret på en 3,2sek lang sekvens der gentages uendeligt. Hvert sekvens er defineret af 32 x 0,1sek tidssegmenter.

Er der flere fejl på MotorControlleren samtidigt vises de prioriteret, d.v.s. fejlbeskeden for den mest kritiske fejl vises først og gentages til fejlen er udbedret. Derefter vises fejlbesked nummer to, som ligeledes gentages til fejlen er udbedret o.s.v. Nedenstående oversigter viser de hyppigst forekommende fejl, indikeres andre fejl en nedenstående kontakt WindowMaster.

Gul diode – LED 1

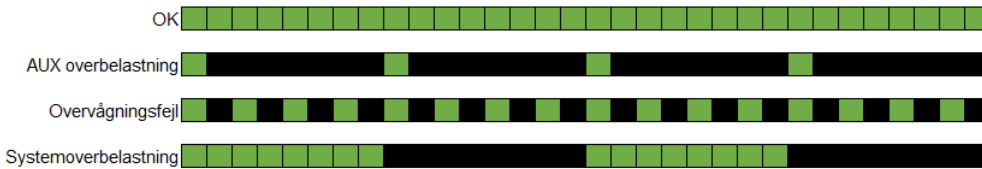
Hvis den gule diode lyser indikere den at der er fejl på MotorControlleren.
Sort = diode slukket



Fejlindikation på den gule diode er en sum-fejl indikation. Detaljeret information om fejltypen afkodes på de grønne dioder.

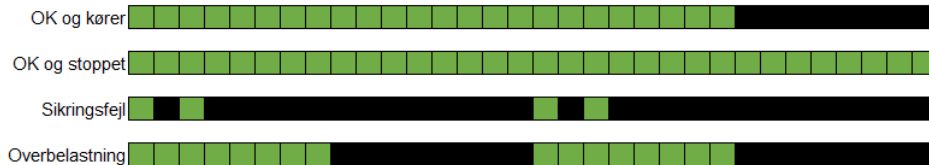
Grøn diode – LED 2

Hvis den grønne diode LED 2 (tættest på på X10) blinker indikere den fejl på på MotorControlleren.
Sort = diode slukket



Grøn diode – LED 4

Den grønne diode LED 4 (længst væk fra X10) indikere status eller fejl for motorlinjen.
Sort = diode slukket



11 Idriftsættelse og prøvekørsel

I tilfælde af fejlmeldinger henvises til kapitel "Status og fejlfinding via LED".

11.1 MotorController fuldt installeret, uden driftsspænding

- g. Check at alle mekaniske og elektriske komponenter er ubeskadigede.
- h. Check at alle skrue- og stikforbindelser er skruet fast og/eller sidder fast.
- i. Kontroller om alle eksterne komponenter er installeret; kontroller polaritet for $\pm 24V$ motorerne

11.2 Med netspænding

Vær opmærksom på Stærkstrømsbekendtgørelsen afs. 6!
Netledningerne sættes på og netspændingen tilsluttes.

11.3 Komforttryk

Se nøje på motorerne, mens de åbner og lukker - der må ikke være hindringer i nogen positioner og motortilslutningsledningerne må hverken være belastet ved træk eller klemning. Afprøv hvert enkelt komforttryk.

11.4 Vind-/regnmelder

- g. Åbn motorerne med komforttrykkene.
- h. Befugt regnsensoren, motorerne lukker helt.
- i. Mens motorerne kører trykkes på ÅBN-tasten på komforttrykket. Motorerne må hverken åbne eller stoppe.

Hvis idriftsættelsen forløb korrekt, monteres MotorControllerens låg.

Er idriftsættelsen ikke forløbet korrekt dvs. fejl ved et af testpunkterne, henvises til kapitel "Tilslutningsbeskrivelse"
Om nødvendigt, efterprøves kabelføringen i henhold til kapitel "Tilslutningsplan for WCC 103".

12 Vedligehold

Kontrol og vedligeholdelse bør kun udføres af leverandøren af anlægget eller autoriserede fagfolk.

Rengør MotorControlleren og check, at fastspændingsbolte og tilslutningsklemmer er fastgjort.

Test det samlede anlæg ved en prøvekørsel (se kapitel "Idriftsættelse og prøvekørsel")

Defekt udstyr må kun repareres på vores fabrik, og der må kun anvendes originale reservedele.

Forventet minimum levetid for MotorControlleren er 10 år.

12.1 Serviceaftale

WindowMaster tilbyder serviceaftale for vedligeholdelse af ventilationsanlægget. Kontakt vor serviceafdeling for yderligere information: Tlf. 45 67 04 32 eller service.dk@windowmaster.com

13 Komponenterklæring

MotorControlleren er fremstillet og testet i henhold til de europæiske retningslinier.

CE-erklæringen er vedlagt MotorControllerens som separate dokumenter.