

INSTALLATION AND COMMISSIONING INSTRUCTION

Rain Sensor Typ III 24V DC

Rain Sensor Typ III 24 V DC

24V



Part.-No.: 480210

Application: Rain Sensor with heated sensor surface and intergrated exaluation control with volt free output contact.

For connection: Control unit EMB 7300, weather module WM (EMB 8000), wind / rain controls WRAG2 and type IV

Operating voltage: 24 V DC (+/- 20%)

Current consumption: <150 mA

Measuring principle: Conductivity measurement, heated sensor

Hysteresis: 5 min

Display: Output active

Output: 1x change-over switch, 5 A / max. 48 V

Protection rating: IP65

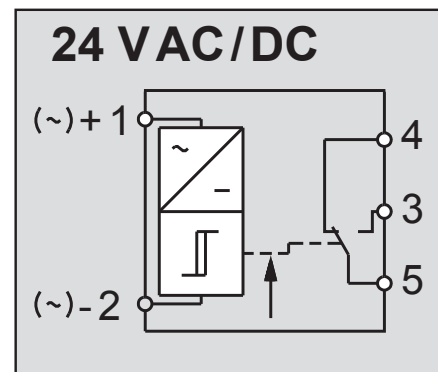
Housing: Surface mounting, ABS black with bracket (stainless steel)

Dimensions: 100 x 85 x 172 mm

Connection cable: non-halogen cable, approx. 4 m

- **Rain Sensor Typ III** to close windows, domlights etc. automatically in case of rain or snow.
- Compact design; sensor and exaluation control intergrated in housing
- Display: Indication of switching status
- Maximum level of savety by carting technology
- Corrosion resistant through gold-plated electrodes
- Heated measuring surface
- Maintenance-free
- Weather-proof polyamide housing (PA 66)
- Bracket (stainless steel / V2A) for pole and wall mounting

Connection diagram



Warranty claims require proper and professional assembly, installation and maintenance in accordance with national regulations and manufacturer's instructions of the SHEV control unit.

The safety instructions in the supplied product documentation are to be observed.



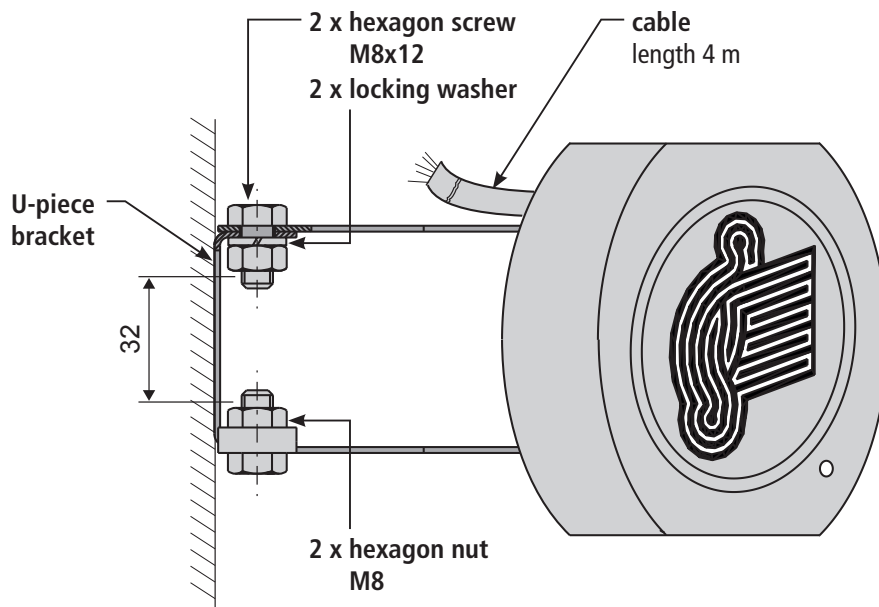
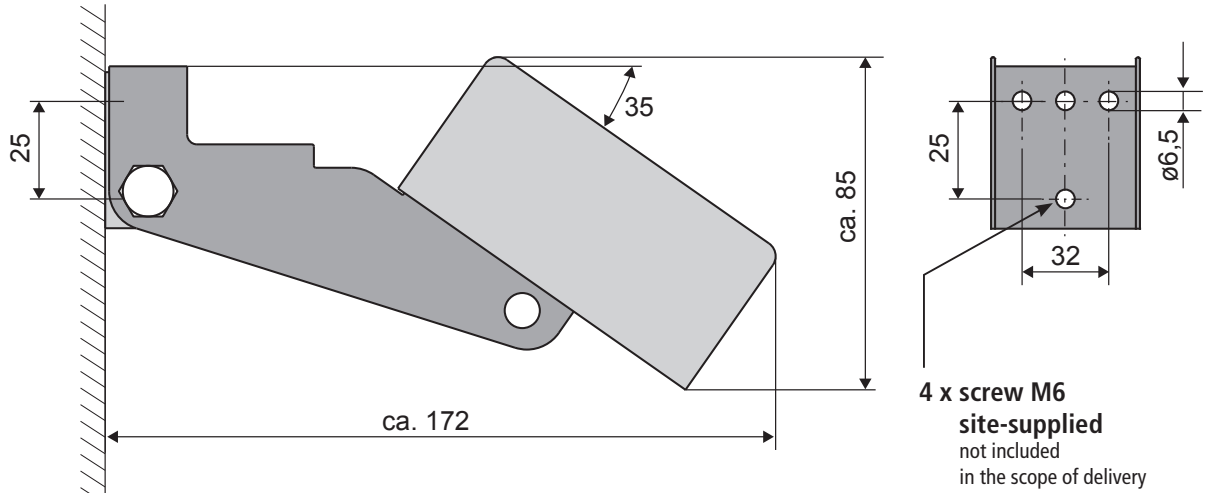
Strictly observe the information given in this and in the instructions for installation of the SHEV control unit, when mounting the **Rain Sensor Typ III 24 V DC**.

Details can be found on our website
www.aumueller-gmbh.de

Keep this instruction over the lifetime of the product.

ASSEMBLY RAIN SENSOR Typ III

Assembly Rain Sensor Typ III



www.aumueller-gmbh.de

AUMÜLLER AUMATIC GMBH
Gemeindewald 11
86672 Thierhaupten

Tel. +49 8271 8185-0
Fax +49 8271 8185-250
info@aumueller-gmbh.de