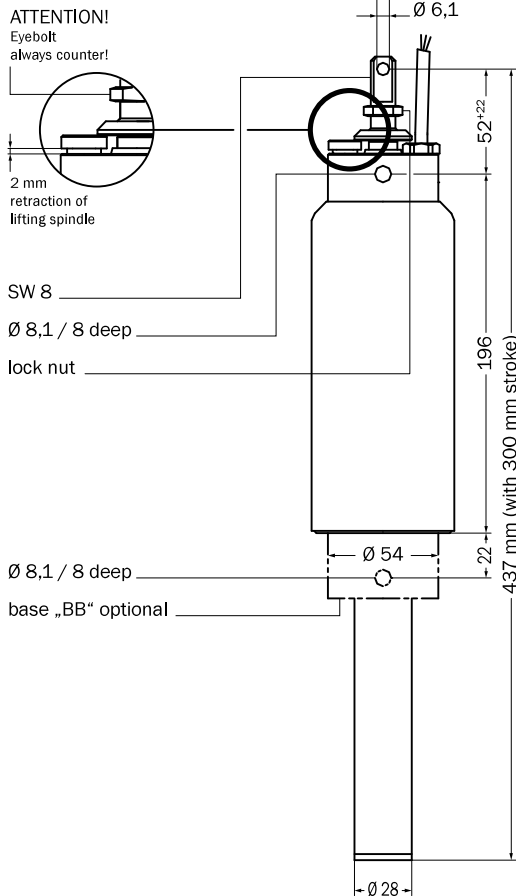


Order designation: JM - _(B) - stroke force - stroke - 0
 Example: JM - BB - 500 - 300 - 0



With the electric motor drive mounted into an aluminum housing the roof flaps and light domes are opened. The design of the motor opener with its great variety of accessories allows for a broad range of applications. The motor can be operated in parallel.

For motor openers with a stroke higher than 300 mm and a mounting angle higher than 30° from the vertical, the motor opener must be taken up in the motor basis (type "BB" or "AB")

The motor opener is designed with a maintenance-free spindle drive and in its end position it is disconnected by the end-switch.

Short description

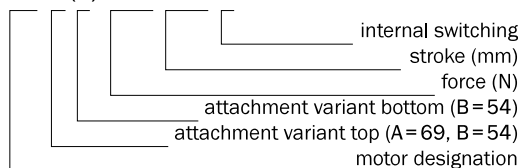
Technical data

connection cable	H05VV-F 4 x 1 mm ² approx. 1,3 m long (white)
operation mode	S2 - 1 min.
colour	similar to RAL 9002 (grey white)
frequency	50 Hz
weight	2,0 kg
stroke	up to 500 mm
stroke/ tensile force	500 N / 350 N
stroke time	10 mm/s
power consumption	200 W / 0,92 A
max. stat. suction load (tensile load)	3300 N
protection class	IP 54
voltage	230 V AC
thermal protection	115 °C
ambient temperature	-5 °C to +60 °C
maintenance	no

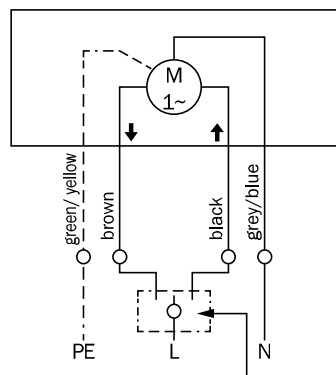
Other strokes and forces upon request.
 The motor opener has a capacity of 10 000 ventilation cycles.

Type codes

JM - X (B) - XXX - XXX - 0



Circuit diagram



eyebolt	(when not a series)
electric test connection	→chapter 11.1, page 301, "Motor Test Device 230 V AC"
bellows	
pivot support	→chapter 6.2, page 221 "Pivot Support FB 6/8"
bracket	→chapter 6.2, page 226, "Bracket KB 2 for Motor Opener 230 V AC" →chapter 6.2, page 227, "Bracket KB-KF for 230 V Motor Opener"

Accessories

