

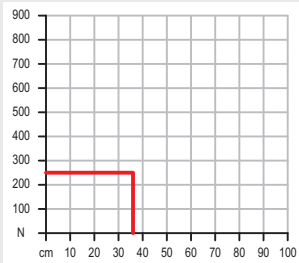
KATO253

Chain actuator 250N

A chain actuator for awning windows, hopper windows, flat roof domes and dormers. KATO 253 is an ingenious evolution developed by Nekos to cater to market demands. Small, smart and affordable! Simple mechanical selection of two different strokes: 240 mm and 360 mm. Equipped with a microprocessor with the following functions:

- Progressive power ramp.
- Power control over the entire stroke.
- Simple and immediate stroke selection.
- Relax function for releasing tension in mechanical parts after each stroke end.
- Accessories compatible with the entire Kato series.

It has compact dimensions; the body and brackets are made from high-strength composite material (glass fibre-reinforced polyamide). This actuator also adopts the same patents as the chain actuators produced with Nekos technology, both for the quick coupling actuator support and for the window fixings.



PATENTED

EP1723303 - EP1723304B1



APPLICATIONS

VASISTAS FRAME
OUTWARD FRAME
PIVOTING FRAME
DOMES
SKYLIGHTS
ROOF FRAME

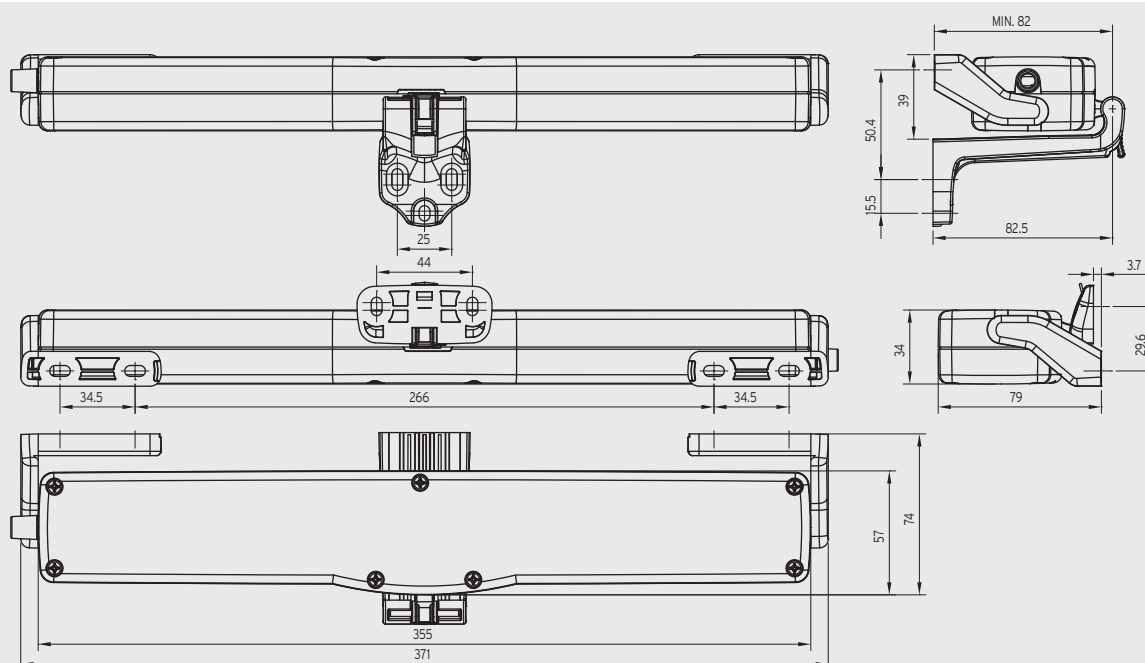
TO BE USED WITH:

KATO 253 24V:
KOUPLÉ 24V
Series KL and Series KL-R
MODIX 2/4/6
MY-SUN1 and MY-SUN3



TECHNICAL CHARACTERISTICS (Functional and mechanical features)

- Electric actuator with double-row four-link articulated chain enclosed in a sturdy composite housing, suitable for opening awning windows, hopper windows, flat roof domes and dormers.
- Traction and thrust power 250N. Powered by 110-230V 50/60Hz or, alternatively, 24V DC. It is supplied complete with screw-less quick coupling brackets (patented) and quick coupling awning or hopper window brackets (patented).
- Two opening strokes with mechanical selection. Stroke-end stop during opening and closing with absorption of power and as protection against overload.
- Can be connected in parallel. Complies with EU directives (EMC Directive, Low Voltage Directive).
- Standard Colours: Black (similar to RAL9004) with black power cable, White (similar to RAL9003) and Grey (similar to RAL7047) with white cable.



MODEL	KATO253 230V	KATO253 24V
Thrust and traction force	250 N	
Strokes (can be selected at any time)	240, 360 mm	
Power supply voltage	110-230V~ 50/60Hz	24V DC
Rated absorbed current	0,42-0,21 A	0,78 A
Power absorbed at nominal load	~ 23-20 W	~ 19 W
Load speed	11,60 mm/s	10,3 mm/s
Duration of no load stroke (360 mm)	31 s	35 s
Electrical insulation	Class II	Class III (Selv)
Type of service	2 cycles	5 cycles
Working temperature	- 5 + 65 °C	
Protection index for electrical devices	IP40	

Adjustment of connection to window frame	Automatic definition of position	
Connection in parallel of two or more motors	YES (max 30 actuators)	
Synchronised function	Not foreseen	
Holding nominal force (it can vary according to the chosen brackets)	1500 N	
Stroke-end at opening	At absorption of power	
Stroke-end at closing	At absorption of power	
Length of power cable	1 m	
Dimensions	356x56x33,5 mm	
Weight	0,84 Kg	0,82 Kg

KATO 253 230V:
 KOUPLÉ 230V
 Series KH and Series KH-R
 RR2-M

CODE	MODEL
6030080	KATO 253 230V stroke 240/360 black
6030081	KATO 253 230V stroke 240/360 white
6030082	KATO 253 230V stroke 240/360 grey
6050057	KATO 253 24V stroke 240/360 black
6050058	KATO 253 24V stroke 240/360 white
6050059	KATO 253 24V stroke 240/360 grey