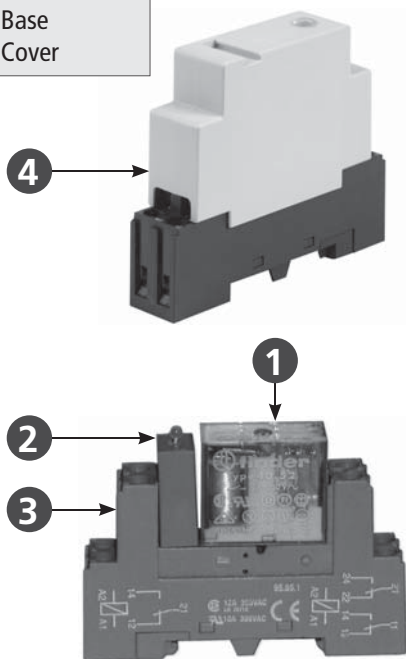


## INSTALLATION AND COMMISSIONING INSTRUCTION

### REL-WRAG2 Relay for contact multiplier

#### REL-WRAG2 - Relay for contact multiplier

- 1 Relay
- 2 Diode module
- 3 Base
- 4 Cover



**Part.-No.:** 487020  
**Application:** Relay as contact multiplier of output signals of wind and rain evaluation unit WRAG2.

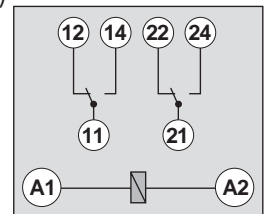
Operating voltage: 230 V AC, 50 Hz  
 Contact type: 2x Change-over switches  
 Switching capacity: 230 V AC / 8 A  
 Connections: Screw terminal 1,5 mm<sup>2</sup> (rigid wire)  
 Protection rating: IP 40  
 Electric strength = Coil/contact (1,2/50 μs): 6 kV (8 mm)  
 Open contacts: 1.000 V AC

Max. current at load / at switching: max. 8 / max. 15 A  
 1-phase-motor-load AC3 operation: 0,3 kW (230 V AC)  
 Max. switching current DC1: 30 V - 8 A / 110 V - 0,3 A / 220 V - 0,12 A  
 Min. switching load: 300 mW (5 V / 5 mA)

Coil = Operating range: 0,8 - 1,1 Operating voltage  
 Withstand voltage: 0,8 Operating voltage  
 Release voltage: 0,2 Operating voltage

**Feature / Equipment:**

- With base for installation on 35-mm mounting rail.



Only connect when disconnected from the mains power supply!  
 Switch off power supply and secure against re-connection!



Connection only executed by specialist personnel in accordance with the national guidelines.



Warranty claims require proper and professional assembly, installation and maintenance in accordance with national regulations and manufacturer's instructions as to SHEV Control Unit. Always disconnect the system from power supply and back-up battery voltage prior to any installation or modification work on the control unit.



Strictly observe the information given in this and in the instructions for installation of the SHEV control unit, when mounting the **REL-WRAG2** (Relay for contact multiplier). Details can be found on our website [www.aumueller-gmbh.de](http://www.aumueller-gmbh.de)  
 Keep this instruction over the lifetime of the product.

[www.aumueller-gmbh.de](http://www.aumueller-gmbh.de)

AUMÜLLER AUMATIC GMBH  
 Gemeindevald 11  
 86672 Thierhaupten

Tel. +49 8271 8185-0  
 Fax +49 8271 8185-250  
 info@aumuellergmbh.de