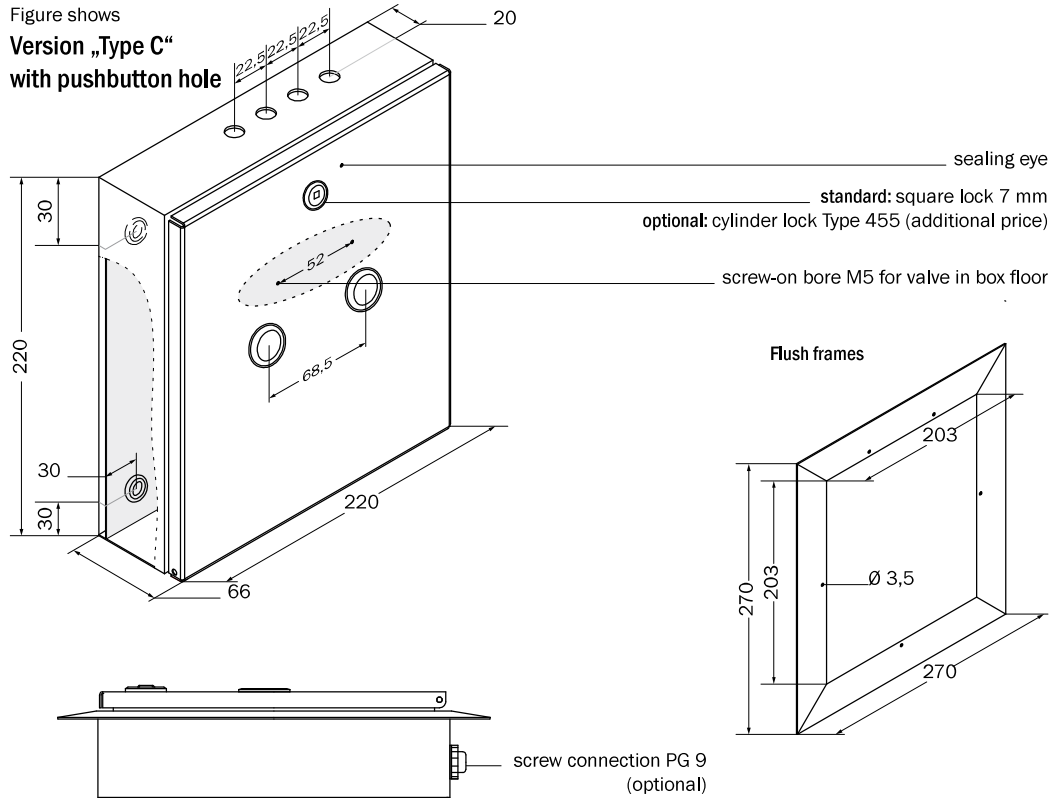


for every magnet-, pushbutton- and pneumatic valves of the type series N6 and N8 incl. priority bonnets



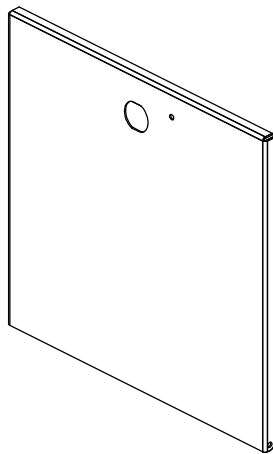
### Short description

In the corner of the box floor fixation bores are provided with a  $\varnothing$  of 6,5 mm. When used as flush-mounted box the shown "flush frame" is delivered including the raised countersunk head tapping screws 3,5 x 9,5 DIN 7973.

### Technical data

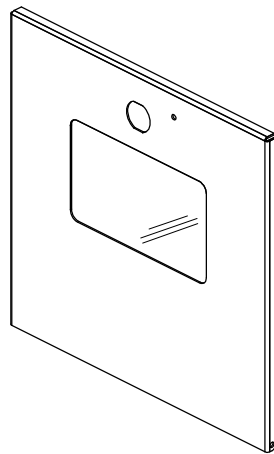
Material	sheet steel St 12.03
Colour	RAL 5 012 (light blue)

### Type variants



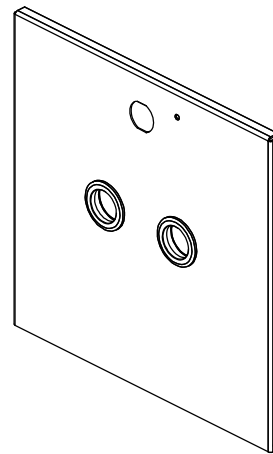
**„Type A“ – closed version**

The operating of the valve is only possible by opening the door of the valve box.



**„Type B“ – version with glass panel**

Valve operation by opening of the valve box door or breaking the glass panel.



**„Type C“ – version with hole for pushbutton**

The operating of the valve is possible by opening the door of the valve box or by activating via push buttons.