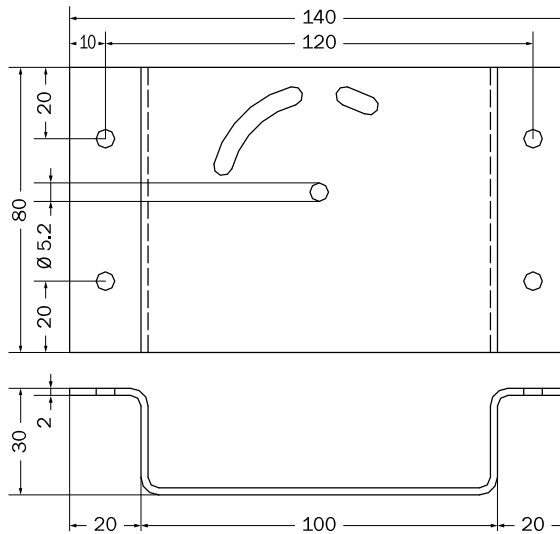
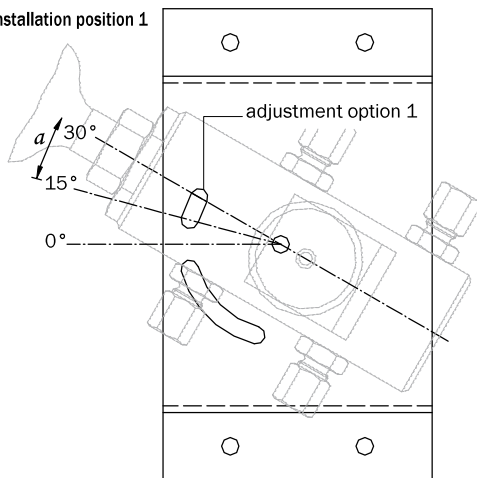


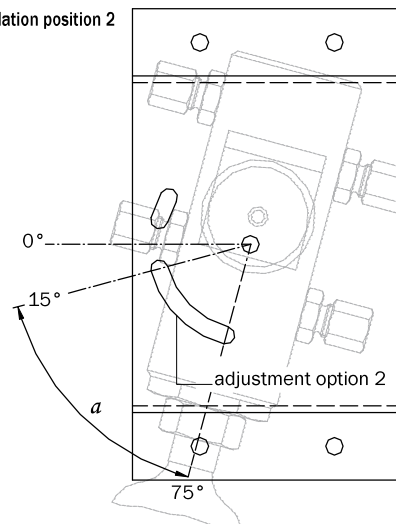
Order designation: Holder TAG 40 / 41 / 42



Installation position 1



Installation position 2



material aluminum

Technical data