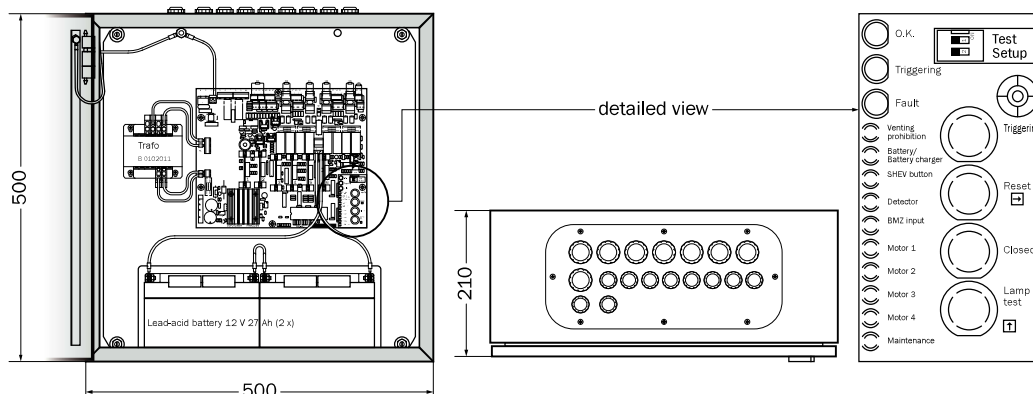


Order designation: Smoke and heat ventilation control unit 20A-4-1



Short description

The smoke and heat ventilation control unit acts as a control unit for 24 V DC motor openers in max. four ventilation and one smoke and heat ventilation triggering group. The ventilation function is controlled via a double rocker switch and optionally, via a wind-rain detector.

The smoke and heat ventilation unit monitors the following lines: Motor line, manual detector line, automatic detector line, undervoltage of the battery, battery line and fire alarm unit-input line.

Triggering of the smoke and heat ventilation function via:

- ▶ manual triggers type smoke and heat ventilation button 6 or 7.
- ▶ smoke detector ECO 1003
- ▶ maximum heat detector ECO 1005T
- ▶ fire alarm unit (FAS input)

Technical data

Type	Smoke and heat ventilation control unit 20A-4-1
number of ventilation groups	1 – 4 (can be adjusted via jumpers)
number of ventilation buttons	any
number of motor lines	4
number of smoke and heat ventilation trigger lines	1
automatic detector	max. 50 x ECO 1003 / ECO 1005T
housing	steel plate housing with sash lock dimensions W/H/D: 500/500/210 mm colour: RAL 7 035 (light grey)
weight	36 kg
max. connectivity of smoke and heat ventilation buttons 6/7	10 x can be combined as required
rated capacity of battery	27 Ah
rated output	124 VA
nominal voltage:	230 V AC/50 Hz
rated voltage of battery	24 V DC (2 x 12 V DC)
total switching capacity	max. 20 A
switching capacity of motor line	max. 5 A nominal current
protection class	IP 54
temperature range	temperature class 3, as in VdS 2581 (-5 °C up to +40 °C) temperature class 3, as in VdS 2593 (-5 °C up to +40 °C)
certificate test number TÜV Nord	44 780 14155001

Type codes

Smoke and heat ventilation control unit 20A - 4 - 1

_____ number of trigger groups
_____ number of ventilation groups

